



APPLICATIONS



SANIVITE+



ATS 5200.101
Certificate No. 23048
Manufacturer: SFA
Brand: Saniflo

Product Reference:
SA95

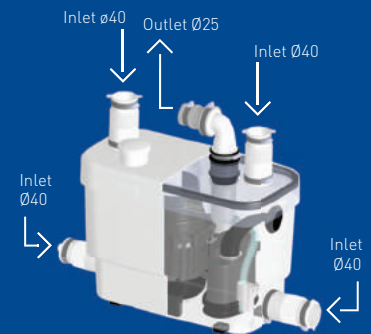
SANIVITE®+

Ideal for kitchen, bath, outdoor BBQ kitchen or laundry. Sanivite®+ has up to four inlet connections making it the ideal solution for installing multiple plumbing fixtures.



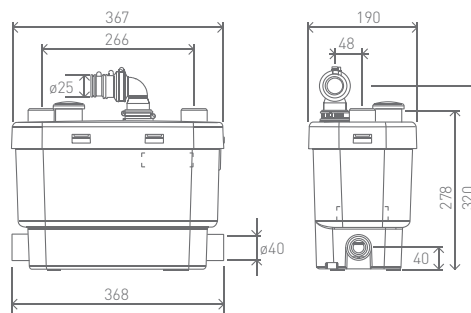
TECHNICAL CHARACTERISTICS

Discharge Pipework	25 mm
Motor Power	400 Watts
Voltages	220-240 V/50 Hz
Working Waste Water Temp	35°C/Max 60°C (intermittent)
Product Weight	6.4 kg
Overall Measurements	373 x 275 x 185 mm
Inlet Pipework	40 mm
IP Rating	IP44



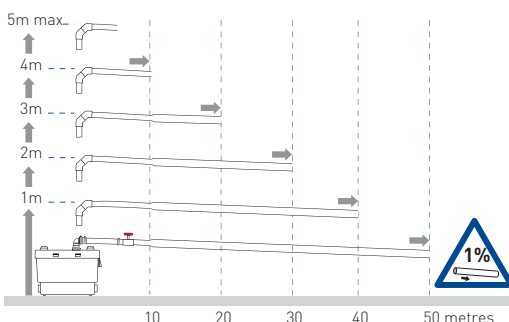
WHY CHOOSE THIS PRODUCT?

- Only for domestic application
- Powerful, quiet pump
- Low activation level (95 mm)
- Compact for concealed installation
- Carbon filter included to neutralise odours
- Working temperature of 35°C
- Will handle up to 60°C for short periods (5 minutes)

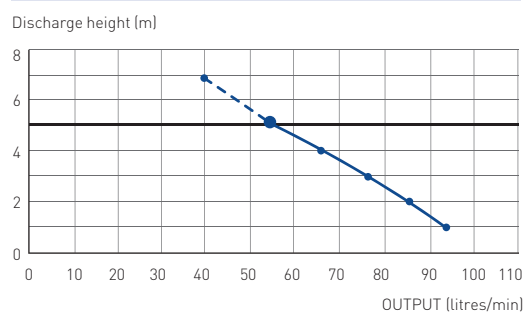


VERTICAL/HORIZONTAL PERFORMANCE

Increase size of horizontal run by one pipe size after 5m. All horizontal pipework requires a minimum of 1:100 fall.



FLOW RATE PERFORMANCE CHART



Made in France to the highest standards, needs to be installed by a licensed plumber