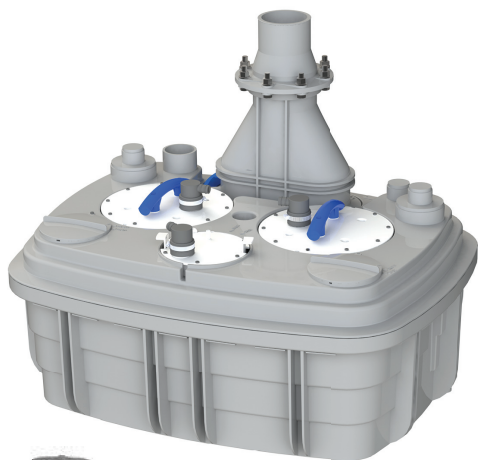




## Sanicubic® 2 VX SINGLE PHASE

Sanicubic® 2 VX is a powerful lifting station used for demanding commercial situations. It features twin 2000w motors, vortex blade-less pumping technology which is well suited for applications to eliminate blockages.



Note: Isolation valves should be fitted to the inlet pipework and discharge pipework to isolate the unit for servicing.

Two integrated non-return valves and four inlets: 40/50/100/110 mm and one inlet 40/50 mm.

Working temperature of 35°C. Will handle up to 70°C for short periods.

Volt free contact for connection to a Building Management System

Control panel has built in alarm, with an additional wired alarm.

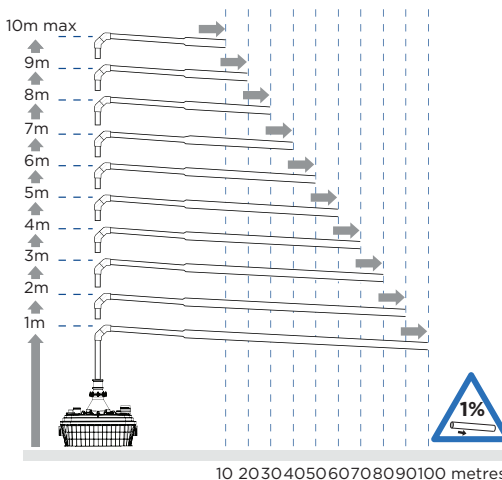
Control panel mounted up to 4 m from pump and additional alarm can be mounted up to 5 m from control panel.

Base of pump needs to be minimum 275 mm below lowest fixture

Allow 200 mm clearance around pump for maintenance purposes

### VERTICAL/HORIZONTAL PERFORMANCE

Increase size of horizontal run by one pipe size after 5m. All horizontal pipework requires a minimum of 1:100 fall.



### WHY CHOOSE THIS PRODUCT?

Ideal for large volume commercial situations.

Large bore vortex pump with a 50 mm free passage capable of pumping waste water without the need to macerate.

Easily removable motors for servicing and maintenance.

Large 120 L tank volume.

Easy to install - no need to excavate.

Two alarms for ultimate safety - both hard-wired.

### APPLICATIONS



TOILET



HAND BASIN



BATH



SHOWER



WASHING MACHINE



DISH WASHER



KITCHEN SINK



WMTS 106:2019  
Certificate No. 23048  
Manufacturer: SFA  
Brand: Saniflo

PRODUCT REFERENCE:  
SA111



APPLICATIONS



TOILET



HAND BASIN



BATH



SHOWER



WASHING MACHINE



DISH WASHER



KITCHEN SINK



WMTS 106:2019  
Certificate No. 23048  
Manufacturer: SFA  
Brand: Saniflo

PRODUCT REFERENCE:  
SA111



ALARM POWER

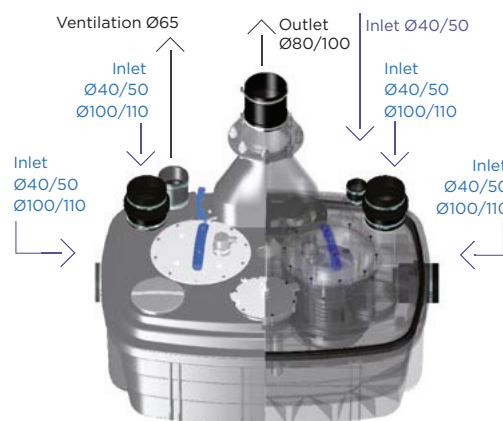
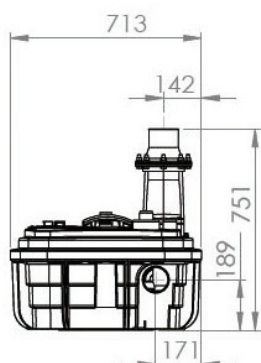
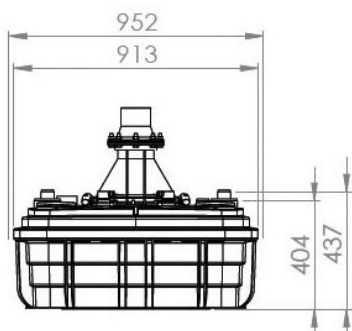
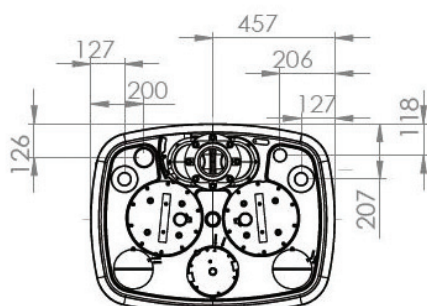
Wired alarm



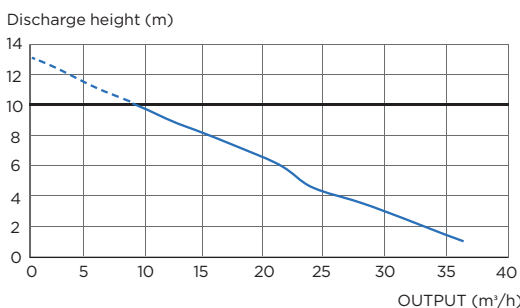
External mounted control box

TECHNICAL CHARACTERISTICS

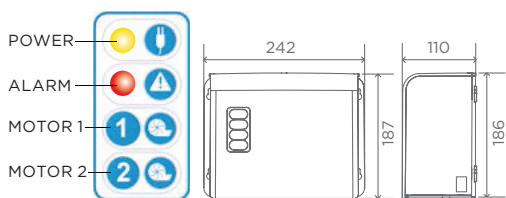
<b>Discharge Pipework</b>	80 mm pipework. Maximum vertical lift 10 m. 100 mm pipework maximum vertical lift 6 m.
<b>Motor Power</b>	2000 Watts x 2
<b>Flow Rate</b>	40 m <sup>3</sup> /h
<b>Voltages</b>	220-240 V/50 Hz
<b>Tank Volume</b>	120 L
<b>Working Waste Water Temp</b>	35°C/Max 70°C (intermittent)
<b>Product Weight</b>	59 kg
<b>Overall Measurements</b>	952 x 751 x 713 mm
<b>IP Rating</b>	IP68
<b>Cable length for Control Panel</b>	4m
<b>Cable length for Wired Alarm Panel</b>	5m



FLOW RATE PERFORMANCE CHART



Externally mounted control box



Made in France to the highest standards, needs to be installed by a licensed plumber