



APPLICATIONS



TOILET



HAND BASIN



BATH



SHOWER



WASHING MACHINE



DISH WASHER



KITCHEN SINK



STORM WATER

Sanifos® 610

The Sanifos® 610 is packaged pumping station for single dwelling use is an efficient solution where gravity reliant sewerage and storm water systems are not possible due to limited site access and site constraints such as property sloping away from the sewer or storm water infrastructure.

Product Reference:

Sanipump Cutter - SA303
Sanipump SLD 700 - SA302



SA303

WHY CHOOSE THIS PRODUCT?

Ideal for single dwelling residential or small commercial applications

The choice of tough reliable macerator or dedicated storm water pumps

Compact space saving tank design

Engineered to Australian Standards AS1546

Wired high level alarm

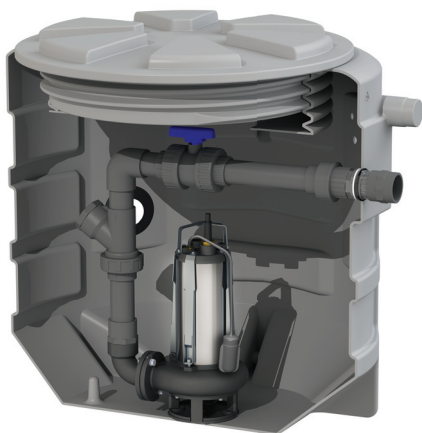
Choice of optional inlet connection points

Working temperature of 70°C max for short periods

IP68 rated

Complete package ready to install. Includes internal pipework, non return and ball valve supplied.

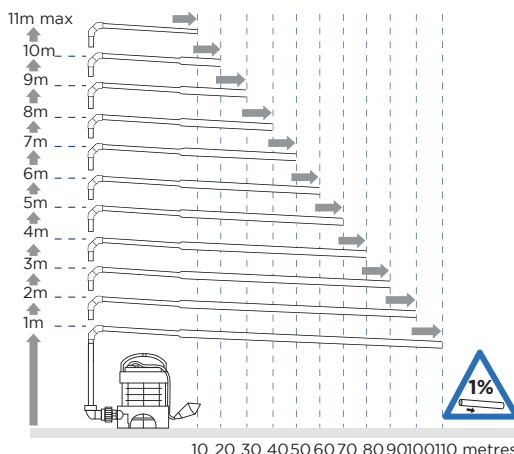
Energy saving and reduced motor wear thanks to large working volume.



SA302

VERTICAL/HORIZONTAL PERFORMANCE

Increase size of horizontal run by one pipe size after 5m. All horizontal pipework requires a minimum of 1:100 fall.



Sanipump Cutter



Robust blade suitable for heavy usage



Sanipump SLD 700 SA

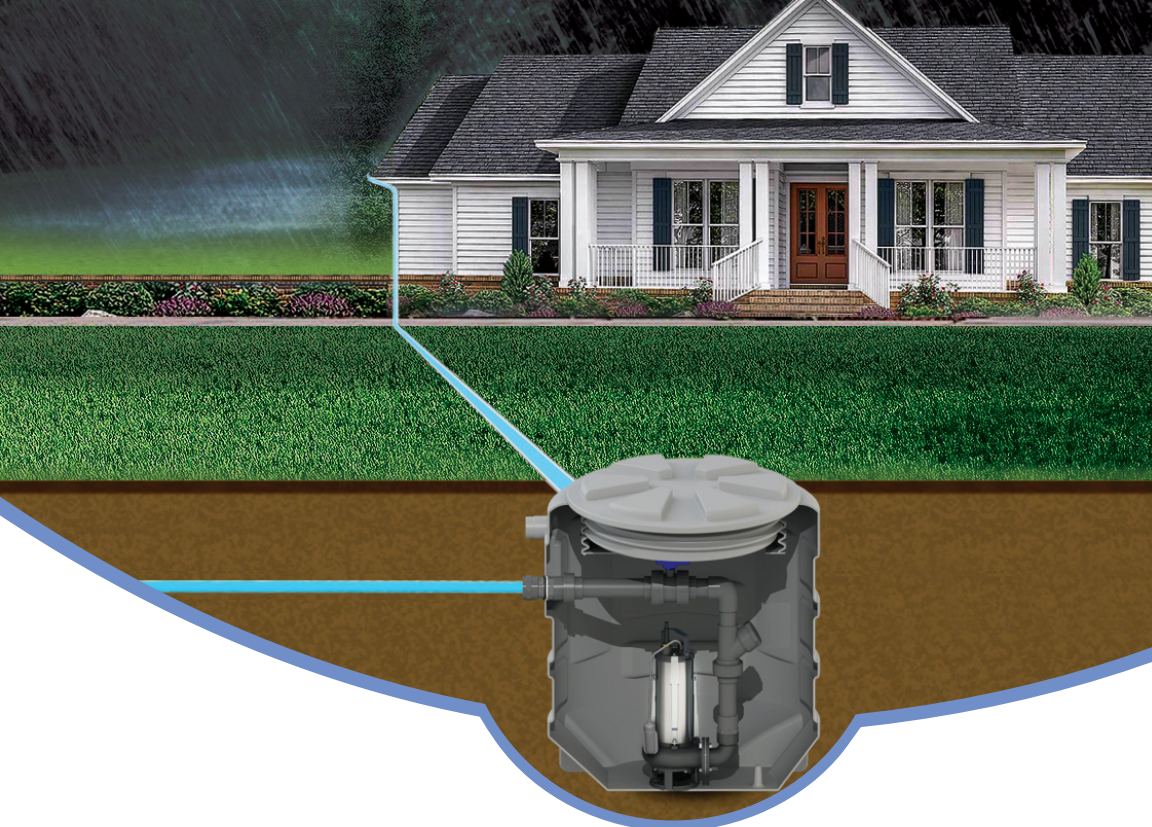


High performance twin channel impeller



Shaking up water

Made in France to the highest standards, needs to be installed by a licensed plumber



APPLICATIONS



TOILET



HAND BASIN



BATH



SHOWER



WASHING MACHINE



DISH WASHER



KITCHEN SINK



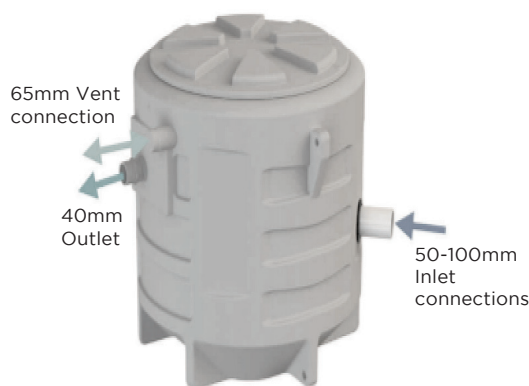
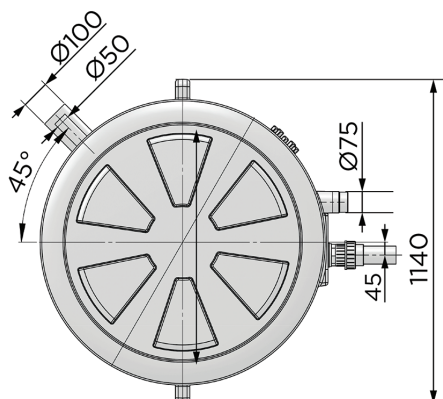
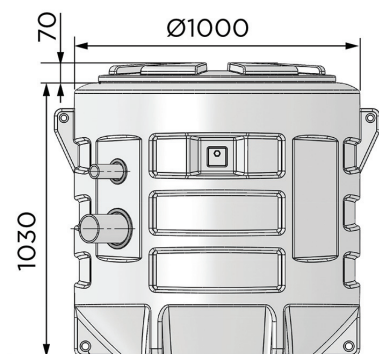
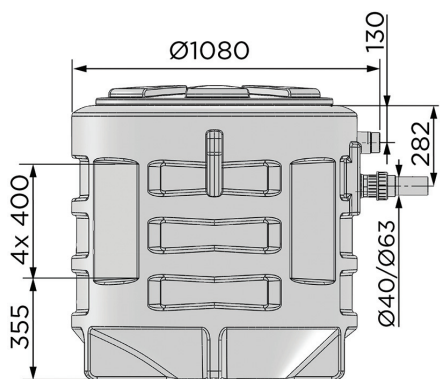
STORM WATER

Product Reference:

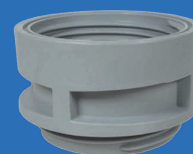
Sanipump Cutter - SA303
Sanipump SLD 700 - SA302

TECHNICAL CHARACTERISTICS

Discharge Pipework	40 mm
Motor Power Sanipump Cutter	1500 Watts
Motor Power Sanipump SLD 700	1100 Watts
Voltages	220-240 V/50 Hz
Tank Volume	610 L
Working Waste Water Temp	35°C/Max 70°C (intermittent)
Overall Measurements	1140 x 1000 mm
Inlet Pipework	40/50/100 mm
IP Rating	IP68
Max Discharge Sanipump Cutter	216 L/min
Impeller Sanipump SLD 700 SA	583 L/min

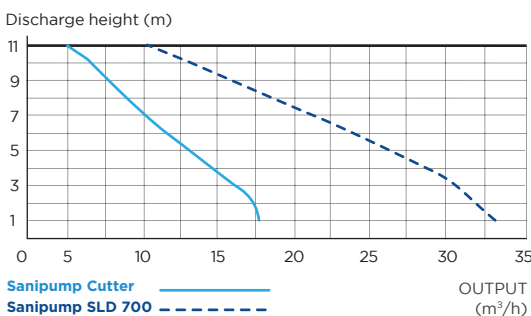


Comes with wired high level alarm



Optional tank extension ring

FLOW RATE PERFORMANCE CHART



Made in France to the highest standards, needs to be installed by a licensed plumber