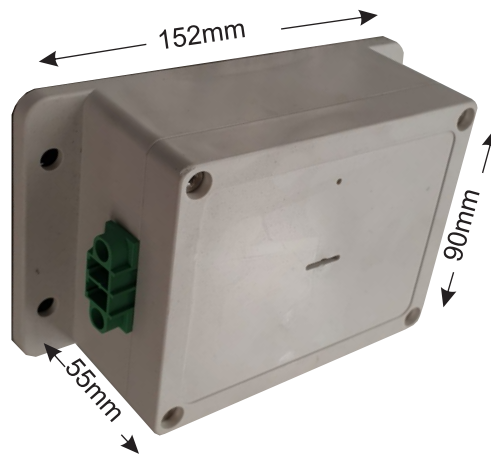




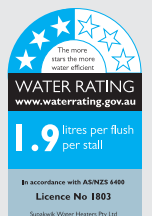
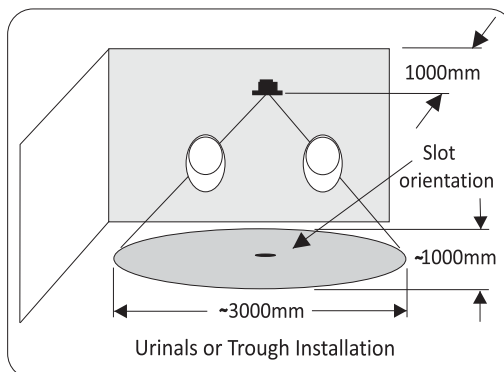
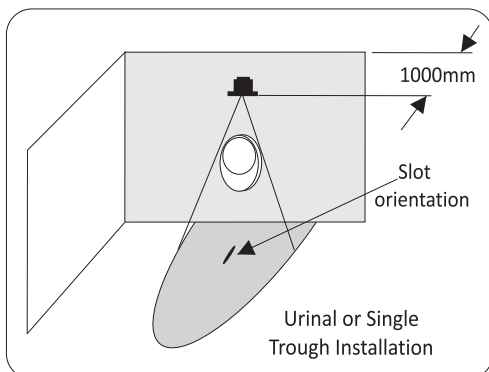
**Supakwik** Water Heaters Pty Ltd

## Supaflush Automatic Urinal Flushing Kit

*Available in Wall & Ceiling Mount  
Battery or Mains Operated*



- Australian Designed, Manufactured & Owned Since 1999
- Excellent Support
- Extremely Reliable
- Modern Design
- Battery Condition Indicator
- Fully Enclosed Unit
- Energy Efficient
- Comprehensive Warranty
- Robust Rust Free Sensor Housing
- Corrosion Resistant Connector
- Easy to Adjust Settings





## Supaflush Automatic Urinal Flushing Kit



**SFCBK - Supaflush Ceiling Mount Kit incl. Battery**  
Sensor, Latching Valve, Cable, Battery Pack, & Fittings



**SFCMK - Supaflush Ceiling Mount Kit incl. Mains Power Adaptor**  
Sensor, Latching Valve, Cable, Mains Power Adaptor, & Fittings



**SFWBK - Supaflush Wall Mount Kit incl. Battery**  
Sensor, Latching Valve, Cable, Battery Pack, & Fittings



**SFWMK - Supaflush Wall Mount Kit incl. Mains Power Adaptor**  
Sensor, Latching Valve, Cable, Mains Power Adaptor, & Fittings

\* All sensors are compatible with either battery or the mains power adaptor.

### Supaflush Sensor Kits - Excluding Latching Valve

- SFCB - Supaflush Ceiling Mount- Sensor, Cable & Battery Pack
- SFWB - Supaflush Wall Mount- Sensor, Cable & Battery Pack
- SFCM - Supaflush Ceiling Mount- Sensor, Cable & Mains Power Adaptor
- SFWM - Supaflush Wall Mount- Sensor, Cable & Mains Power Adaptor

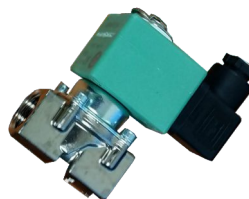
### Air Breaks

- AC1040 - Air Break 1/2" x 3/4" Nickel Plated DR Brass
- AC1050 - Air Break 1/2" x 1" Nickel Plated DR Brass
- AC1060 - Air Break 1/2" x 1 1/4" Nickel Plated DR Brass
- AC1070 - Air Break 1/2" x 1 1/2" Nickel Plated DR Brass



### Spare Parts

- RP0049 - Latching Valve 6v
- RP0081 - Latching Valve 9v
- RP0082 - Battery
- RP0087 - Mains Power Adaptor
- RP0091 - Sensor Assy Only - Ceiling Mount
- RP0092 - Sensor Assy Only - Wall Mount
- RP0110 - Cable (Latching Valve to Sensor)



On average we generate 8 times more solar power energy than we consume to manufacture all our products at our factory.

\*Based on our daily average from our latest power bill at the time - November 2023. This data may have changed since.

