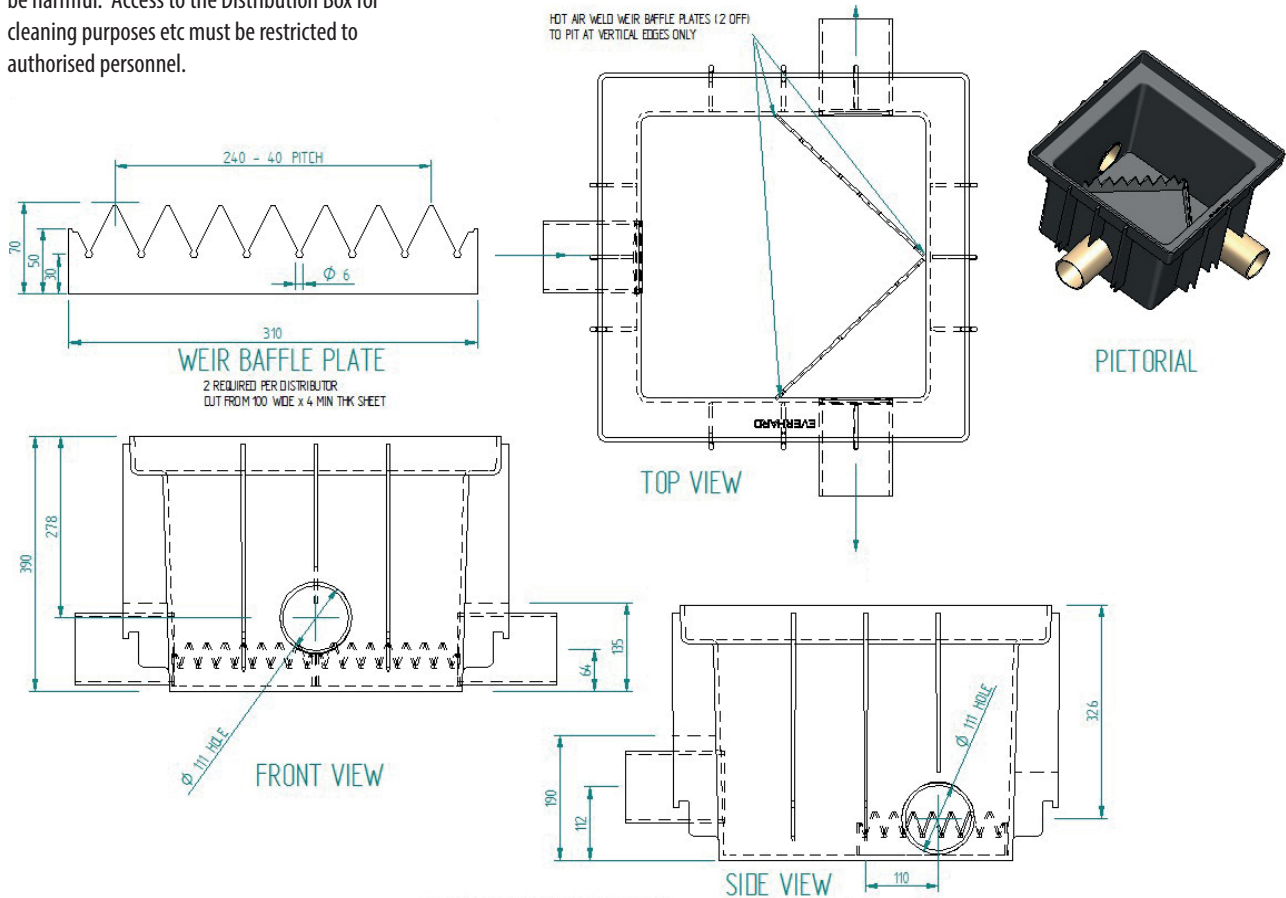


EVERHARD Polymer Distribution Boxes are made from injection moulded Polypropylene which is durable and tough, with additives for resistance to UV degradation. Weir baffles divide flow evenly and have pre-cut holes for DN100 uPVC pipes (inlet and two side outlets.) Extra holes are readily cut with a normal jig-saw or hole-saw. Their light weight makes them easy to handle and simple to install.

Standard moulded Polymer Covers are suitable for non-traffic areas such as gardens. Optional concrete covers and checkerplate covers are also available for areas where regular pedestrian traffic is probable, or where activities such as mowing may damage standard covers.

Distribution Boxes must be installed on a compacted bed of seating material in a hole with inlet and outlet pipes at the correct depth to allow free drainage.

Fluid in Distribution Boxes from waste-water treatment systems is contaminated and may be harmful. Access to the Distribution Box for cleaning purposes etc must be restricted to authorised personnel.



Product Code	Description	Weight (Kg)
84912	Series 450 Distribution Box Comp	7.50
84936	Series 450 Distribution Box 300mm with Weir Fixed	6.22
84921	Series 450 Polymer Cover	1.78