

## Squareline 1080 Kitchen Sink



### PRODUCT DESCRIPTION

**Material:**

Grade 304 Stainless Steel

**Thickness:**

0.8mm

**Finish:**

Polished

**Dimensions:**

1080mm long x 480mm wide,  
180mm deep

**Capacity:**

22L (Large) & 14L (Small)

**Drainer:**

Yes

**Inclusions:**

90mm Basket Waste  
Foam sink to bench seal rubber <sup>1</sup>  
Sink bench fixing clips <sup>2</sup>

**Notes:**

Suitable for garbage disposal connection

**Warranty:**

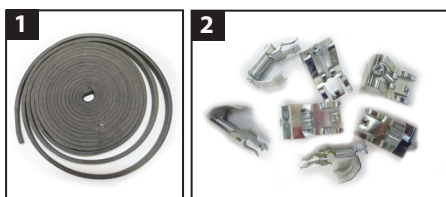
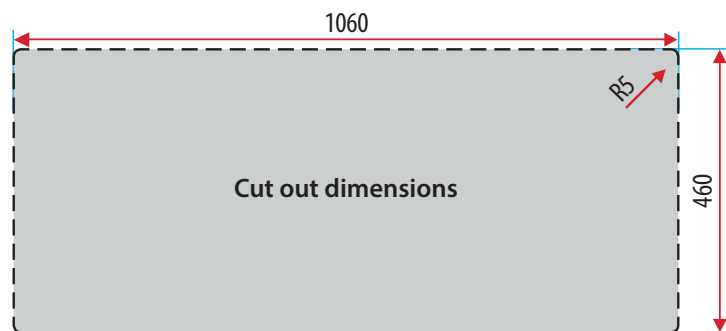
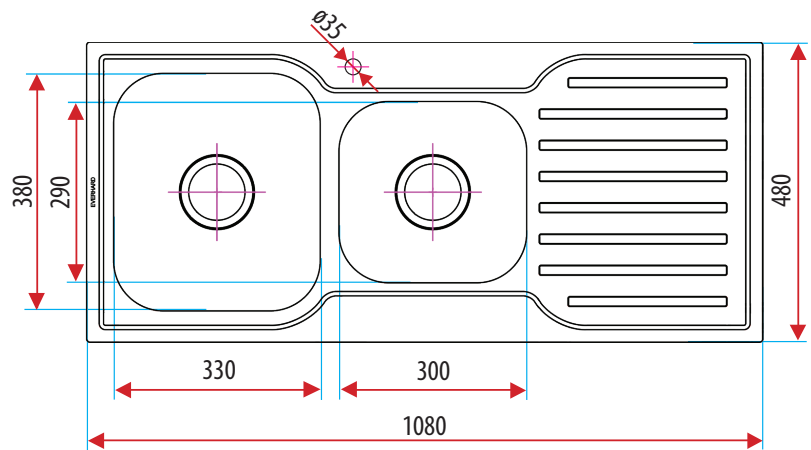
25 years replacement only on sink  
1 year replacement only on plug and waste

**Product codes:**

- 72144 No Tap Hole
- 73144 Right Hand Bowl 1 Tap Hole
- 73145 Left Hand Bowl 1 Tap Hole
- 72166 No Tap Hole with Accessories
- 72167 Right Hand Bowl 1 Tap Hole with Accessories
- 72168 Right Hand Bowl 1 Tap Hole with Accessories



\* Image shows left hand bowl sink



Squareline accessory kits can be purchased separately.  
(Product code: 97941)  
Includes drainer basket, wooden chopping board and drainer tray

Disclaimer: While every care has been exercised in compiling and publishing the data contained in these pages, Everhard accepts no responsibility for errors or omissions and all information is believed to be correct at the time of printing. All colours have been reproduced with as much accuracy as possible. Dimensions and volumes are nominal. Please check the exact product measurements prior to beginning installation. Everhard reserves the right to delete or alter items without notice. Further information on warranties is available at [www.everhard.com.au](http://www.everhard.com.au)