

Data Sheet

SNE 5 AU

Open Vented Compact Storage Water Heater

Point of use water heater with premium LCD display

STIEBEL ELTRON



SNE 5 AU



Smart Control Unit

The advantages

- › Premium LCD smart control unit – timing, smart learning and ECO functions for greater savings
- › Designed for a single sink
- › Made in Germany
- › No flue, ventilation or safe tray required
- › Point of use design, saving energy and water
- › Low minimum standby power consumption
- › Anti-Drip function stops dripping from the spout during heating
- › Thermostop function saves energy and prevents unnecessary heating of the mixer
- › Plugs in to a standard GPO

Ideal Installation Areas

- › Single kitchen sink
- › Alfresco/bar sink
- › Commercial factory sink or single kitchenette sink
- › Ideal for an isolated sink or a sink that takes a long time for hot water to arrive at the outlet



MES



MES-G

PLEASE NOTE:

The SNE under sink point of use water heater is open vented and must be installed with a STIEBEL ELTRON open vented tap.

Not suitable for installation at a basin as a tempering valve or TMV cannot be fitted with this water heater.

Data Sheet

SNE 5 AU

Open Vented Compact Storage Water Heater

Point of use water heater with premium LCD display

OPEN VENTED COMPACT STORAGE WATER HEATER

MODEL NUMBER	SNE 5 AU	
Rated capacity	L	5
For one draw off point only		Yes
Output (230 V)	kW	2.0
Current (230 V)	A	8.7
Connection		1/N/PE
Temperature adjustment	°C	30 – 85
IP rating		IP 24 D
Type of installation		Under sink
Max. permissible pressure	MPa	0
Max. throughput	l/min	5
Width	mm	263
Height	mm	421
Depth	mm	230
Weight	kg	3.0
Standby energy consumption / 24 h at 38 °C	kWh	0.09
Standby energy consumption / 24 h at 65 °C	kWh	0.20
Installation type		Undersink
Operation type		Open vented
Water connections		G 3/8 A
Installation requirements		AS/NZS3500.4.2 & local requirements
Colour		White
Approvals		WaterMark Lic No. WMKA00301. AS3498

Selecting The Right STIEBEL ELTRON Water Heater

Thank you for considering the STIEBEL ELTRON compact storage water heater, with over 90 years of hot water technology experience we are sure you will be happy with your choice of a STIEBEL ELTRON compact storage water heater.

Our customer support representatives can be contacted on our free call number 1800 153 351 to assist in selecting the appropriate system/systems for your project.

Installation Close To The Point Of Use

The STIEBEL ELTRON SNE compact point of use storage water heaters compact design allows for ease of installation close to the point of use. In order to minimise thermal losses in the pipe work the water heater should be installed as close to the point of use as possible.

Electrical Installation

This water heater must be installed in accordance with AS/NZS3000 electrical regulations by a qualified installer.

Plumbing Installation

This water heater must be installed in accordance with AS/NZS3500.4.2 and local authority regulations by a qualified installer.

Warranty

For full warranty information please visit www.stiebel.com.au.

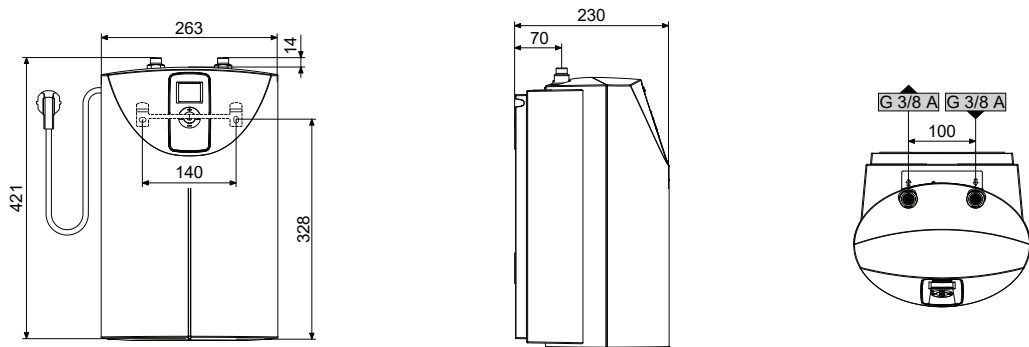
Technical Support

Stiebel Eltron (Aust) Pty Ltd
Free Call (Australia): 1800 153 351
Website: stiebel.com.au

PLEASE NOTE: The SNE under sink point of use water heater is open vented and must be installed with a STIEBEL ELTRON open vented tap.

MODEL NUMBER	MES	MES-G
WELS rating	4 star	4 star
Max. flow rate	l/min	7.0
Compatible with Ext. Lever	Yes	No

SNE 5 AU Dimensions



STIEBEL ELTRON is committed to our policy of continual improvement, some features may have subsequently been changed or even removed. Our advisors will be happy to consult with you regarding the currently applicable equipment features. The images used in this brochure are for reference only.