

# Thermorail Towel Rail

220-240Volt Vertical Heated Towel Rail

## Installation Guide

Please read these instructions carefully and in full before installation.  
Hardwire Installation should be carried out by a qualified electrician.



# Contents

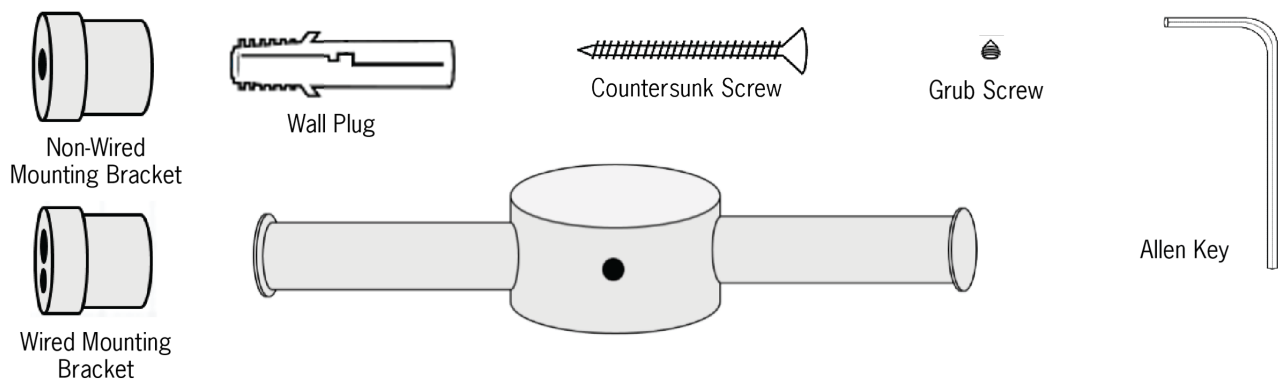
What's in the box? .....	3
Installation .....	4
Technical Specifications .....	5
Safety & Care Information .....	6
Warranty Information .....	7
Warranty Registration .....	7
Contact Us .....	8

# What's in the box?

## Check you've got everything

- Thermorail Single Vertical Bar Rail
- Screw Kit including:
  - 1 x Non-Wired Mounting Bracket
  - 1 x Wired Mounting Bracket
  - 2 x Wall Plugs
  - 2 x Countersunk Screws
  - 4 x M5x5 Grub Screws (2 spares)
  - 2 x M5x3 Grub Screws (1 spare)
  - 1 x Hook
  - 1 x Allen Key

Please note for some models the legs are supplied separate to the main rail.

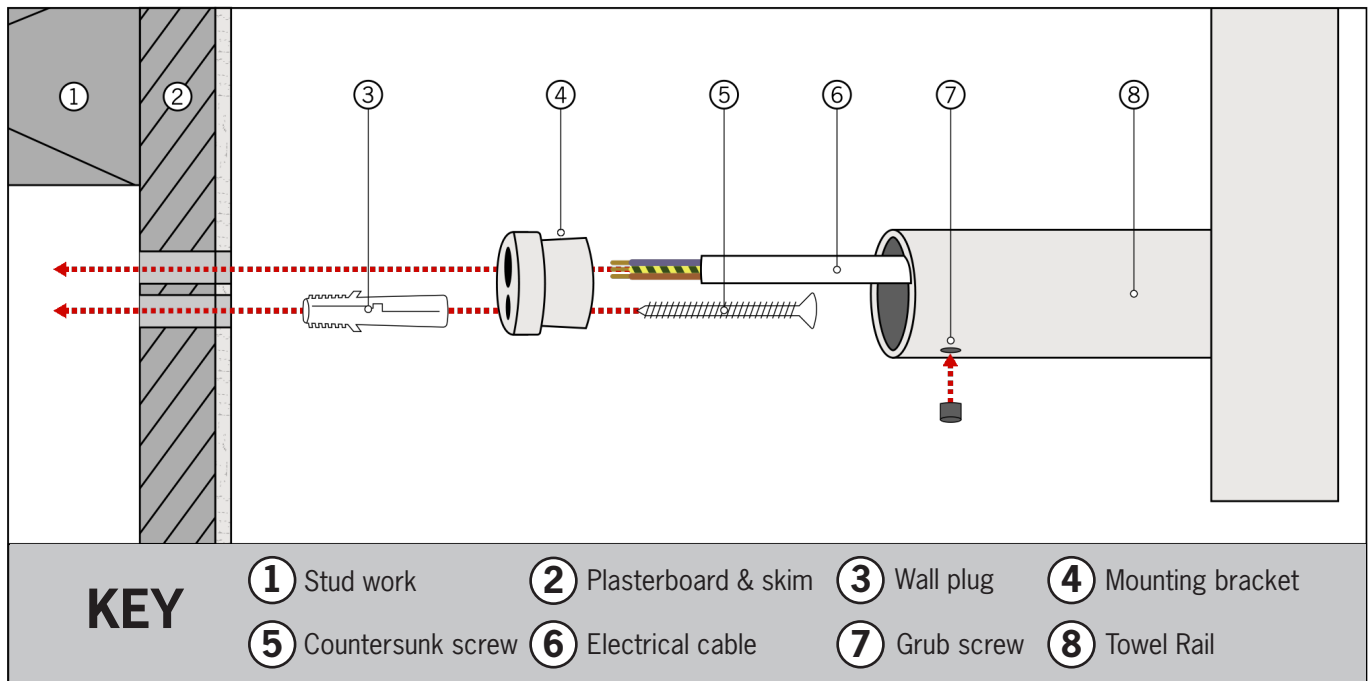


Please note these are not to scale

## You will also need:

- Cross Head Screwdriver
- Pencil
- Spirit Level
- Tape Measure
- Drill Bits
- Cordless Drill
- Electrical Supply
- Timer/Switch

# Installation



## 1. Switch off the mains power

You will be installing the Thermorail as part of a high voltage mains electrical circuit. To ensure your safety and to protect the Thermorail, switch off the mains power before you start the installation. Please ensure that means for disconnection are incorporated in the fixed wiring in accordance with the wiring rules.

## 2. Install two wall brackets

Measure and mark out the bracket positions making sure they are level. Drill a 8mm hole for each of the two wall brackets and an extra hole for the cable at the wiring point and insert suitable wall plugs. Fix the two mounting brackets in place using a screwdriver and screws.

## 3. Electrical Connections

Push the cable through the hole in the wall bracket and connect it to 240Volt power via a switch or timer. Multiple rails installed in a set need to be wired in parallel to a switch or timer. When connecting to a timer please follow the wiring diagram in the timer installation guide (Some timers require power in and out not just a switched live).

## 4. Fix Thermorail to the wall

Fit the Thermorail to the mounting brackets installed on the wall. You may need assistance to hold the rail in place. Tighten the grub screws on the two wall mount arms using the allen key provided.

# Installation & Technical Specifications

## 5. Fix the hook to the vertical bar

Please note that the hook is optional and is not necessary for the unit to operate. Slide the hook over the top of the vertical bar (ensuring that the grub screw hole is facing towards the wall) and hold in desired position. Use the short grub screw to fix in position.

## Technical Specifications

CODE	NO. OF BARS	FINISH	SIZE (MM)	OUTPUT WATTAGE	WARRANTY
VSH900H	1	Polished	W142xH900xD100	20	10
VSH900HBR	1	Brushed	W142xH900xD100	20	7
VSH900HB	1	Matt Black	W142xH900xD100	22	7
VSH900HBN	1	Brushed Nickel	W142xH900xD100	20	7
VSH900HBB	1	Brushed Brass	W142xH900xD100	20	7
VSH900HBG	1	Brushed Gold	W142xH900xD100	20	7
VSH900HBZ	1	Brushed Bronze	W142xH900xD100	20	7

Supply Voltage 220-240V 50Hz

Wiring Method Hardwired

IP Rating IP65

Wiring Position Top or Bottom

Lead Length 2m

## Operating Instructions

All the Heated Towel Rails in this installation guide are dry element electric Heated Towel Rails. Electric Heated Towel rails are designed to run on a low wattage and will heat up quickly, with warmth being felt within 5-10mins. The towel rail will reach optimum operating temperature in approx. 30mins. Running temperature of the Electric Heated Towel Rail is 35degrees without a towel on the rail. Once a towel has been placed on the towel rail this will insulate it and beneath the towel it will get to 50-55degrees. Although the towel rail will reach optimum operating temperature in approx. 30mins it will take approx. 3-4hours to dry the towel. Please note this will vary depending on a number of factors including the ambient room temperature, size of the towel and the dampness level of the towel. Electric Heated Towel Rails are designed to dry and gently warm a towel and are not designed as a towel heater or room heater.

Please note the vertical towel rails are designed for one towel per bar. The hook at the top is designed to ensure the towel is held more securely on the towel rail or for hanging small hand towels or face washers, not for two bath towels.

# Safety & Care Information

## Safety Information

Heated Towel Rails should be installed by a qualified electrician and in accordance with current local regulations. We recommend that the rail is installed onto a flat uniform wall with a 300mm clearance from permanent fixtures. Where possible the Heated Towel Rail should be screwed into studs or if fixing to hollow walls suitable anchors should be used to ensure rail is secure.

Please read and understand this installation guide in full before commencing installation.

If you have any queries in regards to installation, please call 1300 368 631.

- Observe and adhere to wiring rules and IP ratings when placing your rail in wet areas
- Ensure any timers or switches used are installed in correct zones according to the IP rating of the timer/switch
- Ensure that your rail is connected to an RCD protected circuit
- Do not use the towel rail to hold towels or other articles that have been in contact with oil, petroleum based products or dry cleaning fluids
- This appliance is not intended for use by persons (including children) with reduced physical, sensory or mental capabilities, or lack of experience and knowledge, unless they have been given supervision or instruction concerning use of the appliance by a person responsible for their safety.
- Children should be supervised to ensure that they do not play with the appliance.
- Do not immerse your rail in any liquid
- If the supply cord is damaged, it must be replaced by the manufacturer, its service agent or similarly qualified persons in order to avoid a hazard

**WARNING:** In order to avoid a hazard for very young children, this appliance should be installed so that the base of the rail is at least 600mm above the floor.

## Care Information

The finish of your Thermorail Heated Towel Rail is hard wearing and easy to maintain. However, any harsh scrubbing, scratching or acid based cleaning products will damage the surface of your towel rail. Cleaning with a soft cloth and a non-abrasive cleaning agent will give the best results.

## Warranty Information

Thermogroup covers all its products with a satisfaction guarantee. In addition, Thermogroup will supply a replacement product where a fault is shown to be caused by manufacture, materials or workmanship providing the goods have been installed correctly and according to installation instructions. This guarantee does not include removal, freight or installation costs. Our goods come with guarantees that cannot be excluded under Australian Consumer Law. You are entitled to a replacement or refund for a major failure and compensation for any other reasonably foreseeable loss or damage. You are also entitled to have the goods repaired or replaced if the goods fail to be of acceptable quality and the failure does not amount to a major failure.

The details on the length of the warranty on the 240Volt Vertical Bars is on page 5 of this installation guide. To use the warranty, repair or service the customer must provide purchase invoice/receipt and have completed the online warranty registration form.

If the product develops a fault within the warranty period due to normal wear and tear, Thermogroup at its discretion will recognise whether it's a faulty product or not. If it is impossible or not economical for the manufacturer to repair the product, the manufacturer will replace the faulty product with a new unit of the same model or if there is no stock available of the same model as the product, the manufacturer will replace the product with a new unit of a similar size. No responsibility can be taken for altered dimensions and lining up of existing holes.

The repair service offered within the warranty period only covers the faults and problems as developed from the manufacturer's errors. Any damage caused by improper use or carelessness or incorrect wiring is not covered.

Thermogroup is not responsible for any monetary loss or injuries caused by improper use of this product.

## Warranty Registration

The Thermorail Heated Towel Rail warranty against manufacturers defects is a limited liability warranty and will only apply if the product is registered online. Online registration must be completed within 60 days of installation. Failure to complete the warranty registration will void the warranty.



## Contact Us

Phone: 1300 368 631 | Technical Helpline: 1300 989 464  
sales@thermogroup.com.au | www.thermogroup.com.au