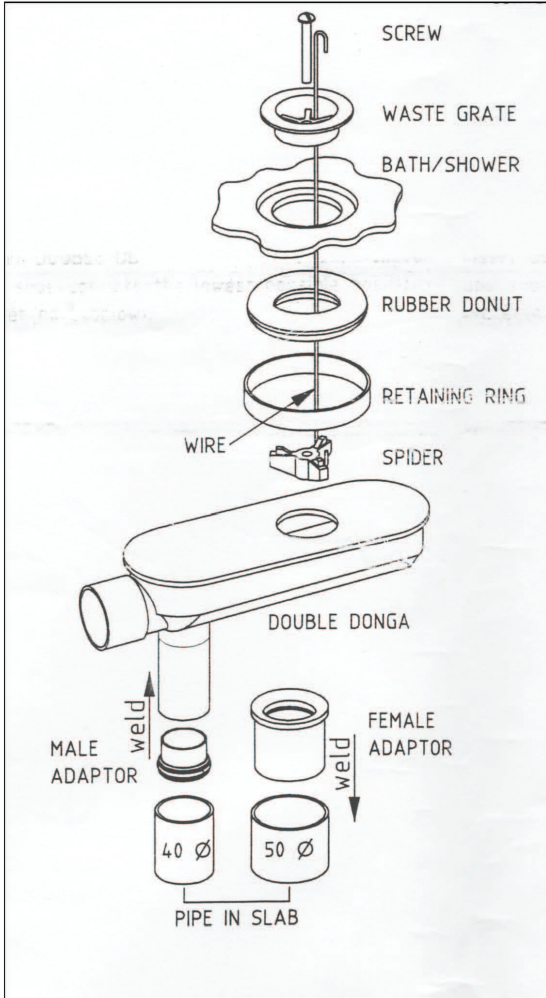


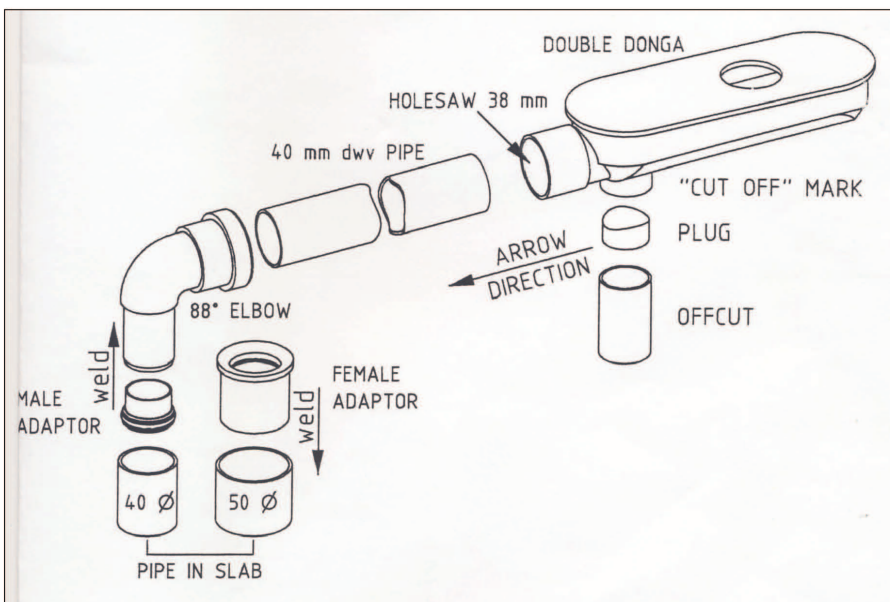
Doubledinger...



Available to suit 40mm and 50mm bath and 80mm shower.

Double Dinger Installation for Vertical Connection: 0-150mm (Standard)

1. Solvent weld appropriate adaptor in place to suit pipe size in slab as illustrated. Lubricate "O" ring with suitable lubricant.
2. Insert Double Dinger into pipe/female adaptor and slide down to the lowest possible position. (note: underside of bath/shower to be between 85mm min and 140mm max. above slab).
3. Rotate and align centerline of Double Dinger with the centre of the waste hole of bath or shower.
4. Using a holesaw (44mm/bath, 57mm/shower) cut a hole in the top surface of the Double Dinger through the waste hole.
5. Clean away shavings and locate the rubber donut with the retaining ring between the bath/shower and the Double Dinger.
6. Attach spider to the wire hook provided and maneuver into the hole in the Double Dinger. Centralise spider with the locating lugs on each arm and pull up.
7. Lower waste grate over wire hook and align with spider. Insert screw and tighten firmly to compress rubber donut. Remove wire hook and check that the waste grate is properly aligned and tightened.



Horizontal Connection: 150mm + (alternate)

1. Drill out the lateral outlet with a standard 38mm holesaw.
2. Cut off the vertical outlet just below the body (between the 2 lines provided).
3. Solvent weld the plug provided in place. (note: ensure the arrow is aligned with the direction of flow and the plug is fully inserted so the top is flush with the invert of the main body).
4. Complete connection with 40mm dwv pipe and 88 degree elbow.