

# School Pattern Right Angle Cistern Tap M&F 15mm

**VP303**

Enware's vandal resistant School Pattern tapware is constructed from dezincification resistant (DR) brass with durable chrome plating and an easy to clean design. The handle features a vandal resistant internal locking ring securing it to the spindle and requires a special key to remove. For areas where there is a higher risk of vandalism choose the School Pattern non-removable handle (VPN), which utilises a handle permanently fixed to the spindle.

## FEATURES

- High quality construction
- Comprehensive 12-month warranty
- Serviceable with all wearing components replaceable, thus providing a longer life



## Product Codes

<b>VP303</b>	Jumper Valve
<b>VPN303</b>	Jumper Valve Non Removable Handle
<b>VPQ303</b>	1/2 turn Ceramic Disc

## Technical Information

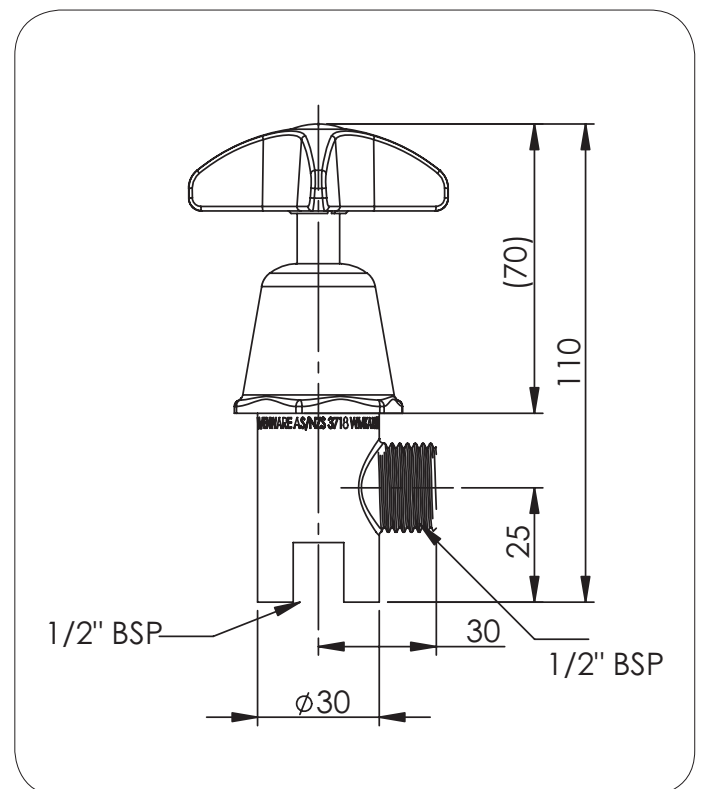
Working Pressure Range Ceramic Disc	50-800kPa 500kPa Max (PCA)*
Working Pressure Range Jumper Valve	30-1200kPa 500kPa Max (PCA)*
Maximum Working Temperature*	Ceramic Disc - 85°C Jumper Valve - 95°C

\*Enware products are to be installed in accordance with the Plumbing Code of Australia and AS/NZS3500.

Reference should also be made to the Australasian Health facility Guidelines (AusHFG), ABCB Regulations and Local Building Codes when considering the choice of, and the installation of these products.

NOTE: Enware Australia advises:

1. Due to ongoing Research and Development, specifications may change without notice.
2. Component specifications may change on some export models.
3. Refer to Warranty Statement for Warranty details [www.enware.com.au/warranty](http://www.enware.com.au/warranty)



Version: Jan 20

**Call 1300 369 273**  
**[www.enware.com.au](http://www.enware.com.au)**

Enware Australia Pty Limited  
9 Endeavour Rd Caringbah NSW 2229 Australia  
Ph: 02 8536 4000 [info@enware.com.au](mailto:info@enware.com.au)

