

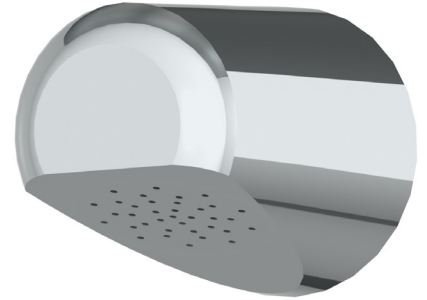
School Pattern Anti Vandal Shower Rose 15mm FI

VP310

Enware's vandal resistant School Pattern tapware is durable and an easy to clean design. Ideal for areas where there is a higher risk of vandalism.

FEATURES

- High quality dezincification resistant (DR) brass construction
- Chrome plated for durability
- Comprehensive 12-month warranty
- Serviceable with all wearing components replaceable, thus providing an even longer life
- WELS 3 Star (7.6 lpm) water efficiency rating supplied as standard



Product Codes

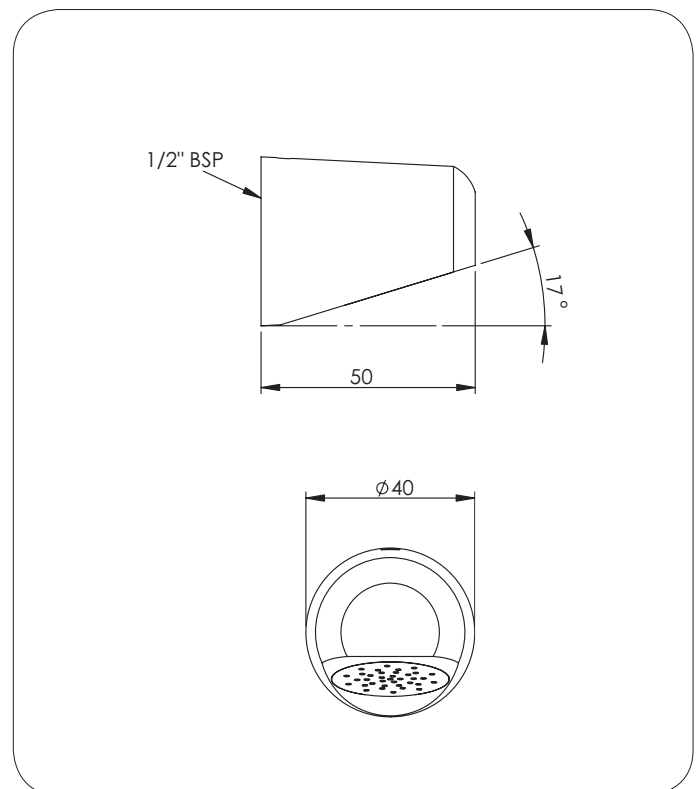
VP310 Anti Vandal Shower Rose 15mm FI



Technical Information

Inlet Connection	1/2" BSP (DN15) Female
Maximum Static Pressure	1000 kPa
To Achieve 3 Star WELS	350-500 kPa
Recommended Pressure	200 - 500 kPa (PCA)*
Flow Rate	7.6 l/minute (3 Star WELS)

*Enware products are to be installed in accordance with the Plumbing Code of Australia and AS/NZS3500. AS/NZS 3500.4 Heated Water Services:
 All heated water installations for sanitary fixtures used primarily for personal hygiene purposes shall deliver heated water at a temperature not exceeding:
 a) 45°C for healthcare and aged care buildings, early childhood centres, primary and secondary schools and nursing homes, or similar facilities for the aged, the sick, children or people with disabilities; and b) 50°C for all other situations (Laundries and kitchen sinks are not required to have heated water at a maximum of 50°C)
 NOTE: Enware Australia advises:
 1. Due to ongoing Research and Development, specifications may change without notice.
 2. Component specifications may change on some export models.



Version: Mar17

Call 1300 369 273
 www.enware.com

Enware Australia Pty Limited
 9 Endeavour Rd Caringbah NSW 2229 Australia
 Ph: 02 8536 4000 Fax: 02 8556 4055

ENWARE
 installing confidence