

Quick Continuous Flow Kits, Quickie 505, Quickie 506

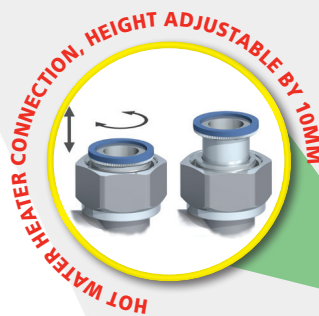
The Quickie 505 kit comes with swivel connector fittings to pick up differing positions for hot and cold water connections. Because different brands of Instantaneous hot water systems have different connection positions, and not all connections are level, with this in mind AVG have designed the swivel connection fitting with a telescopic height adjustable connection, to make the manifold kits level.

The Quickie 505 also offers the option of an untempered line. Long runs of hot water pipe to the kitchen result in “not hot enough” hot water which is resolved by using the option of an untempered line.

The Quickie 505 also comes with a solar high-performance tempering valve and loose nut gas ball valve to make the job simple and easy to assemble, with everything you need in the one box.

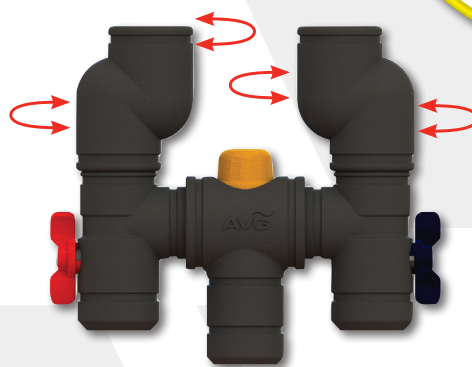
FEATURES

- High performance tempering valve suitable for solar & continuous hot water systems.
- Swivels from 83mm to 223mm.
- Hot water connection height adjustable by 10mm.
- Gas valve included.
- Factory set at 50°C (must be commissioned onsite by installer).
- Water Mark Certification – License No. 20137.



GAS VALVE INCLUDED

SWIVELS FROM
83MM TO 223MM



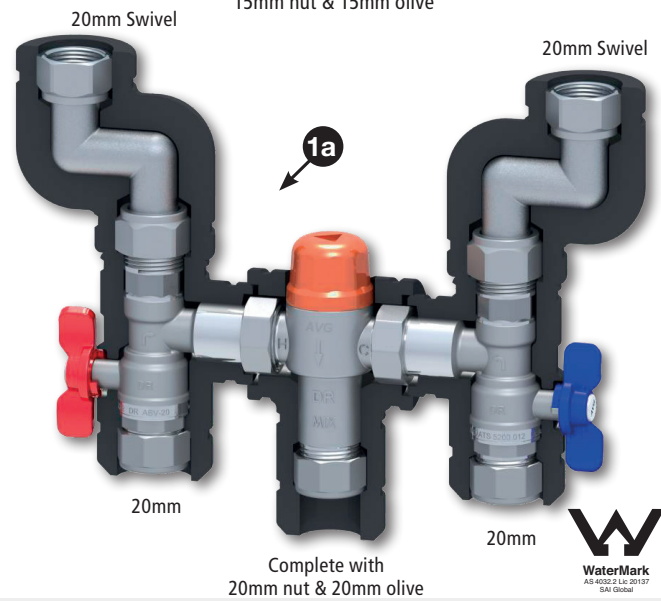
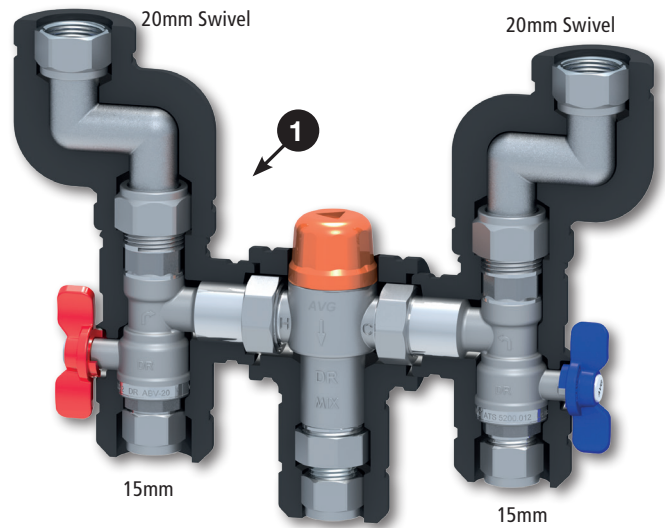
**INSTANTANEOUS CONTINUOUS FLOW KIT
Quickie 505**
20mm loose nut connection to HWS
15mm compression to hot, cold & mixed water
Gas Valve 20mm loose nut x 20mm flare

**INSTANTANEOUS CONTINUOUS FLOW KIT
Quickie 506**
20mm loose nut connections to Hot Water System
20mm compression to hot, cold & mixed water
Gas Valve 20mm loose nut x 20mm flare

Quick Continuous Flow Kit

The Quickie 505 Quick Continuous Flow Kit is a universal manifold kit, designed to make installing a tempering valve on a Instantaneous Hot water system quick and simple, with all the necessary valves, fittings and insulation to cover, saving the plumber substantial time and therefore money.

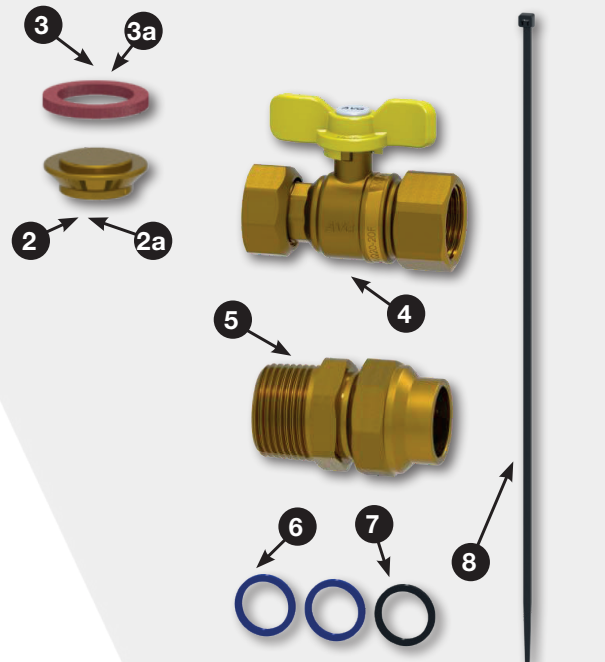
ITEM NO.	DESCRIPTION	QTY.
1	QIK505 - Please note that one of the swivelling connections (on the hot side) is height adjustable	1
1a	QIK506 - Please note that one of the swivelling connections (on the hot side) is height adjustable	1
2	15mm Blanking disc	1
2a	20mm Blanking disc	1
3	15mm Fibre washer	1
3a	20mm Fibre washer	1
4	BVQ20-20F (20mm loose nut x 20mm female)	1
5	BFU20MI20FL (Brass Fitting Union R $\frac{3}{4}$ " to $\frac{3}{4}$ " Flared Compression)	1
6	20mm Silicon Washer	2
7	20mm NBR Washer	1
8	Cable ties	14



QIK 505 & QIK 506 SPECIFICATIONS

(20mm & 15 mm TVA's)

Cold water supply temperature:	5°C - 25°C
Hot Water supply temperature:	65°C - 99°C
Adjustable outlet temperature range:	40°C - 50°C
Factory set temperature:	50°C nominal (Must be commissioned onsite by installer)
Accuracy of outlet temperature:	±3°C - tested to AS4032.2
Minimum temperature differential (between hot supply and outlet temperature):	10°C
Supply pressure, static :	1600kPa maximum
Supply pressure, dynamic :	500kPa maximum
Supply pressure imbalance, dynamic :	2:1 maximum (at time of commissioning)
Maximum permitted pressure variation in either supply in order to control outlet temperature to ±3°C:	10 % maximum (from supply pressure at commissioning)
Flow rate minimum:	4 litres/min



Australian Valve Group
A WATTS Brand

DISCLAIMER: Every care has been taken in the preparation of these instructions, which have been issued as a guide only. Compliance with the requirements of local Authorities is required at all times. These requirements may change from time to time. Always be aware of the local requirements. Subject to any statutory obligations and manufacturers warranties no liability can be accepted for any losses, consequential or otherwise which may arise or be said to have arisen from relying upon the contents of this installation instruction as to the fitness of any particular product for any particular purpose, use or application. The Australian Valve Group Pty Ltd reserves the right to modify designs and specifications and to withdraw and introduce products at any time without notice.

Unit 2, 9-11 Noble St, Kewdale, WA, 6105
Tel: 1800 AVG AUS (284 287) Fax: (08) 9353 2689
www.avg.net.au