

Series 1050

Zetco WaterMarked
& AGA Approved
DZR Brass Ball Valve F&F
S/Steel Lever & Nut

FEATURES

MANUFACTURED IN ITALY

FULL BORE

WATERMARKED TO AS 5830.1 LICENCE WM-000110

AUSTRALIAN GAS ASSOCIATION APPROVAL #5301

BLOW-OUT PROOF STEM

MUST BE OPERATED IN FULLY OPEN OR CLOSED POSITION

ALL VALVES PRESSURE TESTED DURING PRODUCTION

SIZE RANGE: 6MM TO 100MM

PRESSURE AND TEMPERATURE RATINGS

TEMPERATURE RANGE: -20°C TO 99°C

MAXIMUM OPERATING PRESSURE AT NOMINAL TEMPERATURES:

FLUIDS 6MM TO 50MM: 2500 kPa

65MM TO 100MM: 2000 kPa

FOR RATINGS AT SPECIFIC TEMPERATURES REFER TO GRAPH OVERLEAF

GAS 2100 kPa

BIM-MED^{AUS}



AGA 5301 G
AS 4617



WaterMark

IAPMO WM-000110
AS 5830.1

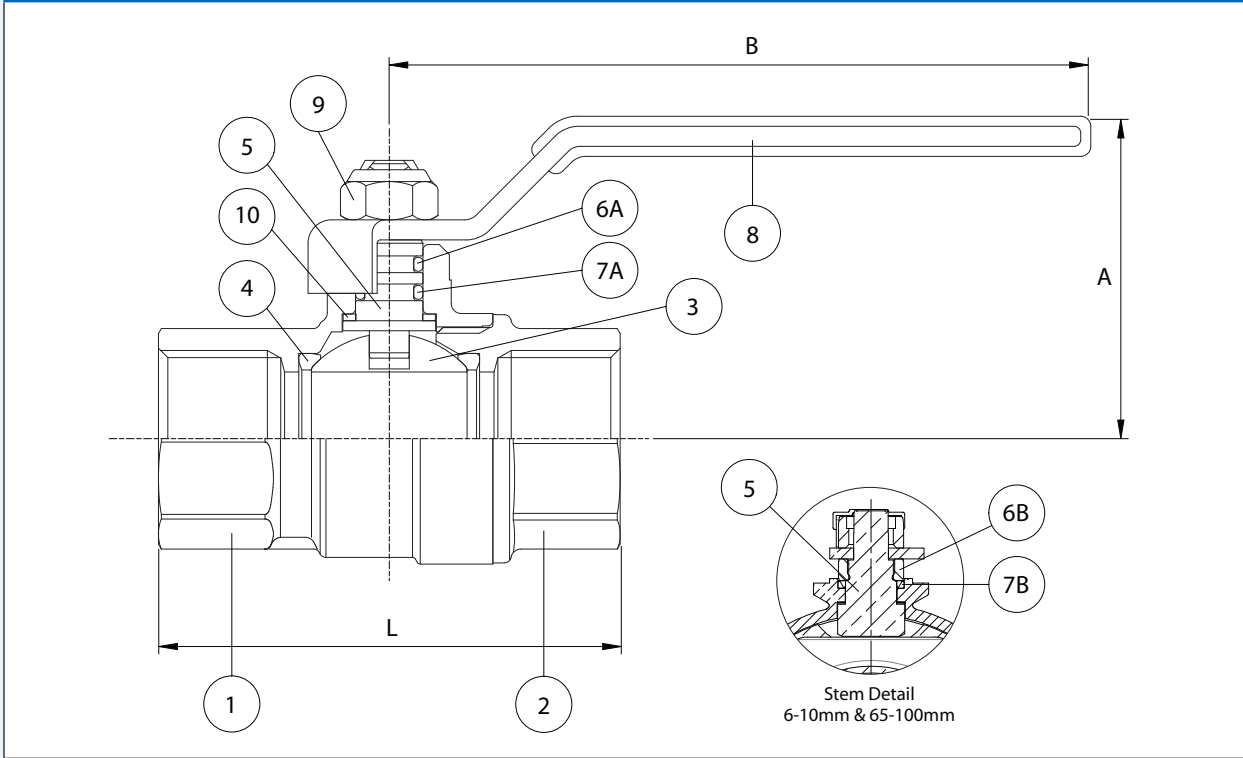
Series 1050

Zetco WaterMarked & AGA Approved

DZR Brass Ball Valve F&F S/Steel Lever & Nut



DIMENSIONAL AND COMPONENT DIAGRAM



MATERIALS

POS.	PART NAME	MATERIALS
1	BODY	DZR BRASS
2	END ADAPTOR	DZR BRASS
3	BALL	DZR BRASS (CHROME PLATED)
4	SEAL	PTFE
5	STEM	DZR BRASS
6A	UPPER O-RING	HNBR
7A	LOWER O-RING	EPDM PEROXIDE
6B	GLAND NUT	BRASS
7B	CONICAL SEAL	PTFE
8	HANDLE	STAINLESS STEEL 316
9	NUT	STAINLESS STEEL 316
10	THRUST WASHER	PTFE

DIMENSIONS - mm

Prod. Code	Size	A	B	L	Kv	Wgt kg
1050006	6	37	85	46	6	0.190
1050010	10	37	85	49	8	0.165
1050015	15	40	85	60	15	0.203
1050020	20	48	105	69	28	0.332
1050025	25	52	105	83	39	0.503
1050032	32	63	130	97	84	0.871
1050040	40	69	130	107	156	1.31
1050050	50	83	165	129	243	1.90
1050065	65	98	249	159	476	3.94
1050080	80	109	249	182	770	6.05
1050100	100	124	249	219	1200	9.50

PRESSURE/TEMPERATURE DIAGRAM

