



## Series 1071

FI x Nut & Tail  
WaterMarked  
DZR Brass Ball Valve

### FEATURES

MANUFACTURED IN ITALY

WATERMARKED TO ATS 5200.012 LICENCE WMKA00110

AUSTRALIAN GAS ASSOCIATION APPROVAL #5301

FITTED WITH AN INTEGRAL LOOSE NUT & TAIL, MAKING IT IDEAL AS AN ISOLATION VALVE FOR APPLIANCES SUCH AS CONTINUOUS FLOW WATER HEATERS

PTFE GASKET

LOOSE NUT IS PROTECTED BY PLASTIC CAP TO PROTECT GASKET

BLOW-OUT PROOF STEM

MUST BE OPERATED IN FULLY OPEN OR CLOSED POSITION

ALL VALVES PRESSURE TESTED DURING PRODUCTION

SIZE RANGE: 15MM TO 20MM

NOTE: THE VALVE IS ALSO AVAILABLE WITH A 15MM X 20MM CONNECTION

### PRESSURE AND TEMPERATURE RATINGS

TEMPERATURE RANGE: -10°C TO 90°C

MAXIMUM OPERATING PRESSURE AT NOMINAL TEMPERATURES: 2100 kPa



AGA 5301  
AS 4617



**WaterMark**

LN WMKA00110  
ATS 5200.012

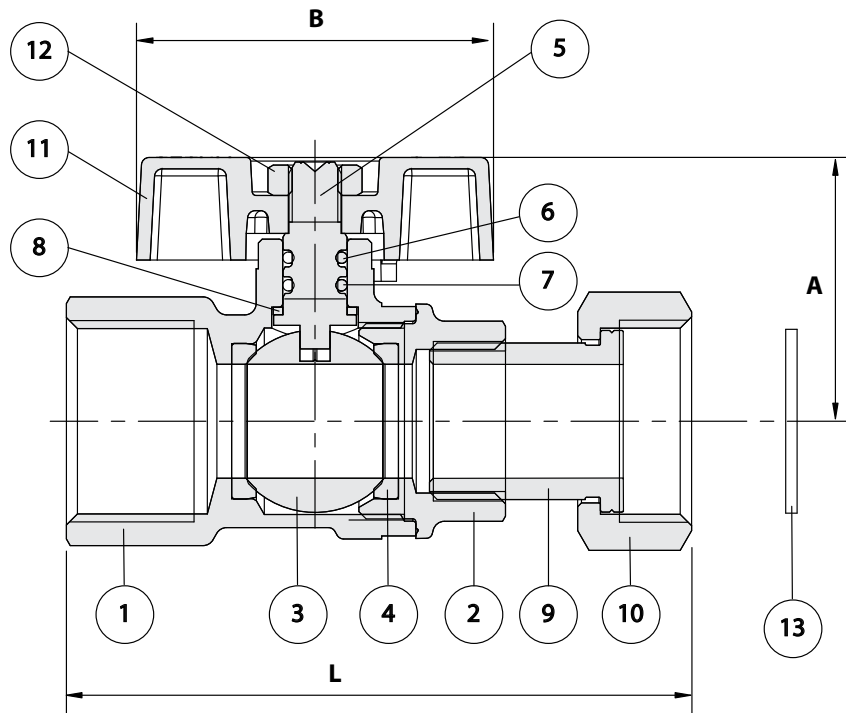
# Series 1071

FI x Nut & Tail WaterMarked

DZR Brass Ball Valve



## DIMENSIONAL AND COMPONENT DIAGRAM



### MATERIALS

POS.	PART NAME	MATERIALS
1	BODY	DZR BRASS
2	END ADAPTOR	DZR BRASS
3	BALL	DZR BRASS (CHROME PLATED)
4	SEAL	PTFE
5	STEM	DZR BRASS
6	UPPER O-RING	HNBR
7	LOWER O-RING	EPDM PEROXIDE
8	THRUST WASHER	PTFE
9	TAIL	DZR BRASS
10	NUT	BRASS
11	HANDLE	POWDER COATED ALUMINIUM
12	NUT	ZINC PLATED STEEL
13	GASKET	PTFE

### DIMENSIONS - mm

Prod. Code	Size	A	B	L	Wgt kg
1071015	15	30.8	47	77.5	0.184
1071020	20	34.7	47	82	0.268
1073015	15x20	30.8	47	83	0.252