



## Series 1130

Zetco AGA Approved  
Brass Ball Valve  
F&F Lever Handle

### FEATURES

MANUFACTURED IN ITALY

FULL BORE

AUSTRALIAN GAS ASSOCIATION APPROVAL #3877

DOUBLE O-RING STEM SEALING SYSTEM MAKING IT SUITABLE  
FOR USE WITH DIESEL & PETROL

BLOW-OUT PROOF STEM

YELLOW BRASS THREADS

SUITABLE FOR USE WITH VACUUM

MUST BE OPERATED IN FULLY OPEN OR CLOSED POSITION

ALL VALVES PRESSURE TESTED DURING PRODUCTION

SIZE RANGE: 6MM TO 100MM

### PRESSURE AND TEMPERATURE RATINGS

TEMPERATURE RANGE: 0°C TO 60°C

MAXIMUM OPERATING PRESSURE AT NOMINAL TEMPERATURES: 2100kPa

FOR RATINGS AT SPECIFIC TEMPERATURES REFER TO GRAPH OVERLEAF

BIM-MED<sup>AUS</sup>



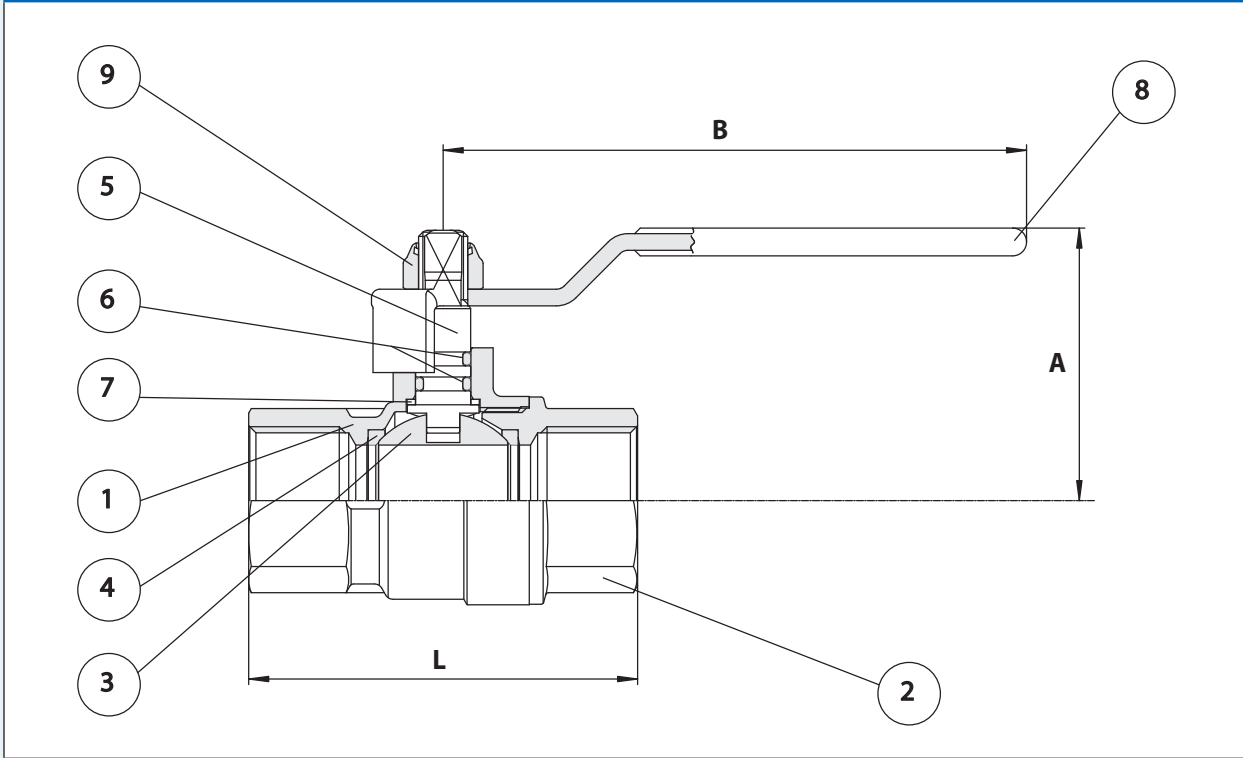
AGA 3877 G  
AS 4617

# Series 1130

Zetco AGA Approved Brass Ball Valve  
Ball Valve F&F Lever Handle



## DIMENSIONAL AND COMPONENT DIAGRAM



### MATERIALS

POS.	PART NAME	MATERIALS
1	BODY	BRASS
2	END ADAPTOR	BRASS
3	BALL	BRASS (CHROME PLATED)
4	SEAL	PTFE
5	STEM	BRASS
6	O-RING	HNBR
7	THRUST WASHER	PTFE
8	HANDLE	ZINC PLATED STEEL
9	NUT	ZINC PLATED STEEL

### DIMENSIONS - mm

Prod. Code	Size	A	B	L	Kv (air)	Wgt kg
1130006	6	37	90	48	6	0.138
1130010	10	37	90	50	9	0.151
1130015	15	41	90	60	17	0.204
1130020	20	50	105	70	41	0.346
1130025	25	54	105	83	70	0.533
1130032	32	66	140	99	121	0.987
1130040	40	72	140	108	200	1.48
1130050	50	86	170	130	292	2.46
1130065	65	100	170	158	535	3.50
1130080	80	113	250	183	850	5.67
1130100	100	139	250	219	1360	10.51

### PRESSURE/TEMPERATURE DIAGRAM

