



Series 1340

Zetco WaterMarked
DZR Brass Ball Valve
Olive Compression

FEATURES

MANUFACTURED IN ITALY

FULL BORE

COPPER OLIVE COMPRESSION

WATERMARKED TO ATS 5200.012 LICENCE WMKA00110

AUSTRALIAN DESIGN NUMBER 306523

BLOW-OUT PROOF STEM

ASSORTED HANDLE COLOURS AVAILABLE

MUST BE OPERATED IN FULLY OPEN OR CLOSED POSITION

ALL VALVES PRESSURE TESTED DURING PRODUCTION

SIZE RANGE: 15MM TO 20MM

PRESSURE AND TEMPERATURE RATINGS

TEMPERATURE RANGE: -20°C TO 90°C

MAXIMUM OPERATING PRESSURE AT NOMINAL TEMPERATURES: 2500 kPa



WaterMark

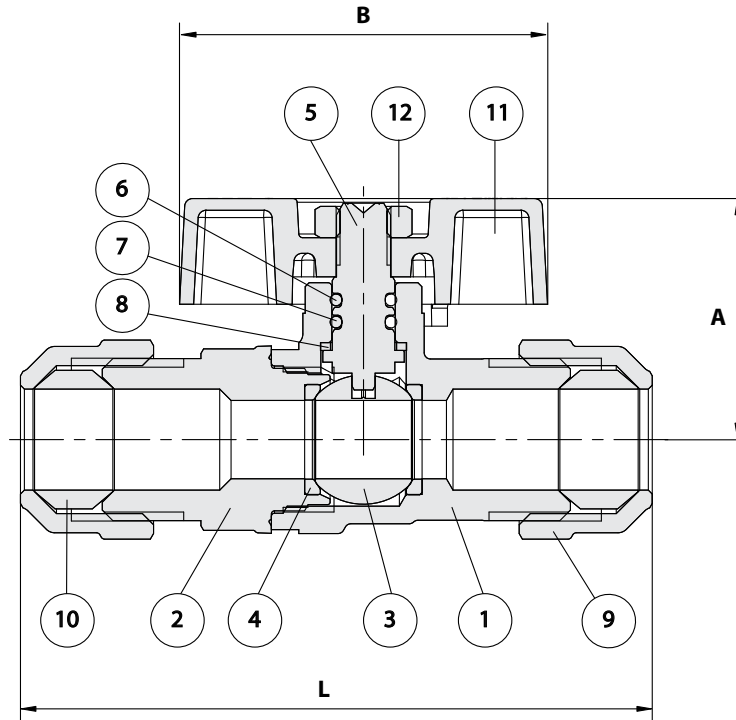
LN WMKA00110
ATS 5200.012

Series 1340

Zetco WaterMarked DZR Brass
Ball Valve Olive Compression



DIMENSIONAL AND COMPONENT DIAGRAM



MATERIALS

POS.	PART NAME	MATERIALS
1	BODY	DZR BRASS
2	END ADAPTOR	DZR BRASS
3	BALL	DZR BRASS (CHROME PLATED)
4	SEAL	PTFE
5	STEM	DZR BRASS
6	UPPER O-RING	HNBR
7	LOWER O-RING	EPDM PEROXIDE
8	THRUST WASHER	PTFE
9	COMPRESSION NUT	BRASS
10	OLIVE	COPPER
11	HANDLE	POWDER COATED ALUMINIUM
12	NUT	ZINC PLATED STEEL

DIMENSIONS - mm

Prod. Code	Size	A	B	L	Kv	Wgt kg
1340015	15	30.8	47	82.7	11	0.207
1340020	20	35	47	92	20	0.327