



Series 1343

Olive Compression
x Nut & Tail
WaterMarked
DZR Brass Ball Valve

FEATURES

MANUFACTURED IN ITALY

FULL BORE

COPPER OLIVE COMPRESSION

WATERMARKED TO ATS 5200.012 LICENCE WMKA00110

AUSTRALIAN PATENT NUMBER 2006200845

FITTED WITH AN INTEGRAL LOOSE NUT & TAIL, MAKING IT IDEAL AS AN ISOLATION VALVE FOR APPLIANCES SUCH AS CONTINUOUS FLOW WATER HEATERS

PTFE GASKET

LOOSE NUT IS PROTECTED BY PLASTIC CAP TO PROTECT GASKET

BLOW-OUT PROOF STEM

MUST BE OPERATED IN FULLY OPEN OR CLOSED POSITION

ALL VALVES PRESSURE TESTED DURING PRODUCTION

SIZE RANGE: 15MM TO 20MM

NOTE: THE VALVE IS ALSO AVAILABLE WITH A 15MM X 20MM CONNECTION

PRESSURE AND TEMPERATURE RATINGS

TEMPERATURE RANGE: -10°C TO 90°C

MAXIMUM OPERATING PRESSURE AT NOMINAL TEMPERATURES: 2100 kPa



WaterMark

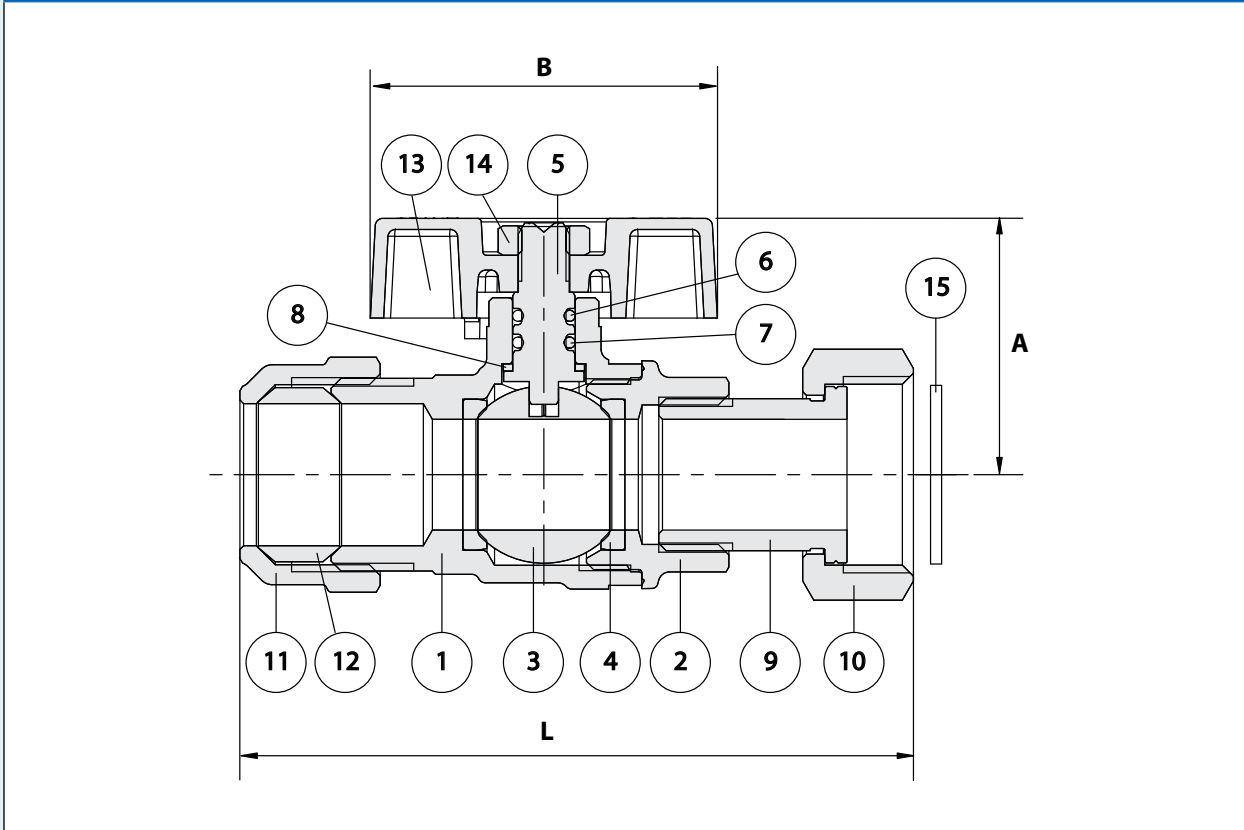
LN WMKA00110
ATS 5200.012

Series 1343

Olive Compression x Nut & Tail
WaterMarked DZR Brass Ball Valve



DIMENSIONAL AND COMPONENT DIAGRAM



MATERIALS

POS.	PART NAME	MATERIALS
1	BODY	DZR BRASS
2	END ADAPTOR	DZR BRASS
3	BALL	DZR BRASS (CHROME PLATED)
4	SEAL	PTFE
5	STEM	DZR BRASS
6	UPPER O-RING	HNBR
7	LOWER O-RING	EPDM PEROXIDE
8	THRUST WASHER	PTFE
9	TAIL	DZR BRASS
10	NUT	BRASS
11	NUT	BRASS
12	OLIVE	COPPER
13	HANDLE	POWDER COATED ALUMINIUM
14	NUT	ZINC PLATED STEEL
15	GASKET	PTFE

DIMENSIONS - mm

Prod. Code	Size	A	B	L	Wgt kg
1343015	15	31	47	92	0.194
1343020	20	35	47	92	0.291
1361015	15x20	31	47	83	0.233