



Series 6200

Zetco AGA Approved
DZR Brass Ball Valve
Press-fit x Press-fit
Lever Handle

FEATURES

MANUFACTURED IN ITALY

FULL BORE

AUSTRALIAN GAS ASSOCIATION APPROVAL #5301

PRESS-FIT JOINT COMPLIANT WITH AS 3688

TESTED TO DVGW VP 614

FOR USE WITH VIEGA®, ROTHENBERGER® AND KEMPRESS® V-PROFILE TOOLS ONLY

MUST BE INSTALLED ACCORDING TO ACCOMPANYING INSTRUCTIONS & DESIGN GUIDE

CONICAL PTFE STEM SEALING SYSTEM

BLOW-OUT PROOF STEM

MUST BE OPERATED IN FULLY OPEN OR CLOSED POSITION

ALL VALVES PRESSURE TESTED DURING PRODUCTION

SIZE RANGE: 15MM TO 50MM

PRESSURE AND TEMPERATURE RATINGS

TEMPERATURE RANGE: -20°C TO 100°C

MAXIMUM OPERATING PRESSURE AT NOMINAL TEMPERATURES: 2100 kPa

ACCORDING TO AS 5601 TABLE 4.1, THE OPERATING PRESSURE OF CONSUMER GAS PIPING SYSTEMS CONTAINING COPPER TUBE IS LIMITED TO 200 kPa

FOR RATINGS AT SPECIFIC TEMPERATURES REFER TO GRAPH OVERLEAF

BIM-MED^{AUS}



AGA 5301 G
AS 4617

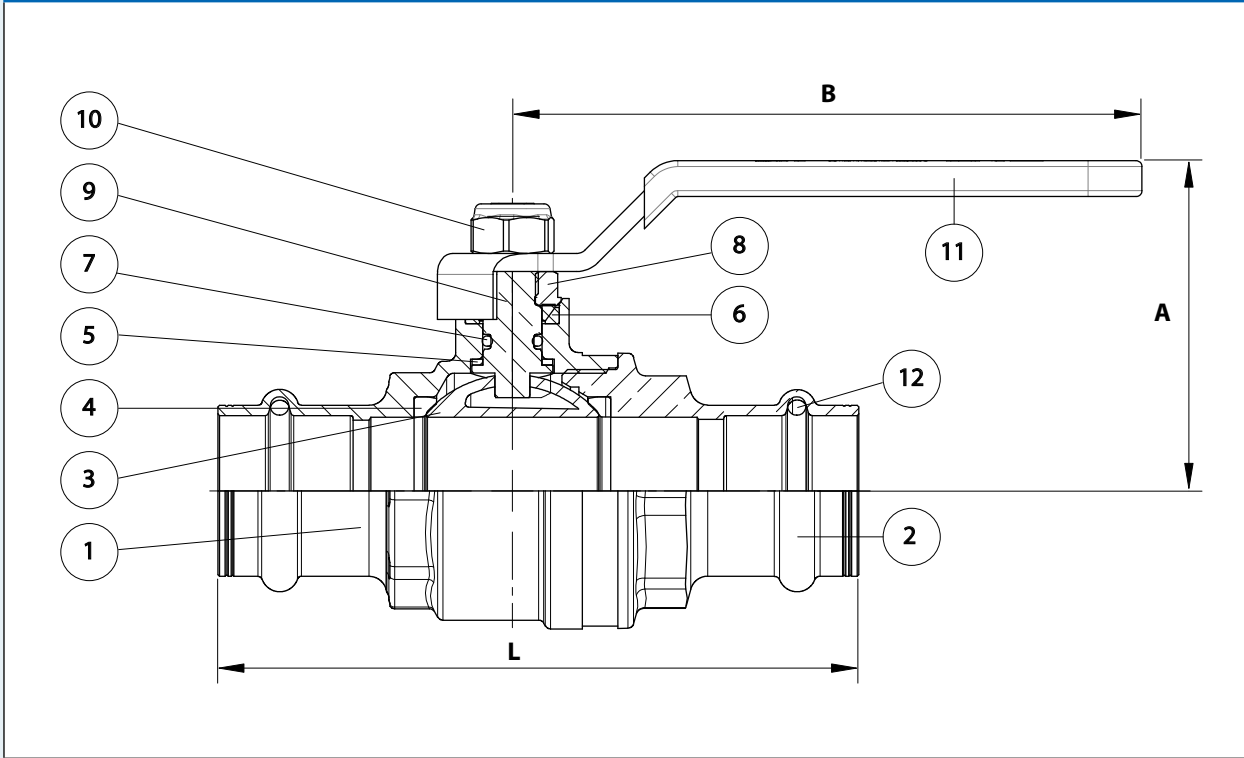
V.01

Series 6200

Zetco AGA Approved DZR Brass Ball Valve
Press-fit x Press-fit Lever Handle



DIMENSIONAL AND COMPONENT DIAGRAM



MATERIALS

| POS. | PART NAME | MATERIALS |
|------|---------------|---------------------------|
| 1 | BODY | DZR BRASS |
| 2 | END ADAPTOR | DZR BRASS |
| 3 | BALL | DZR BRASS (CHROME PLATED) |
| 4 | SEAL | PTFE |
| 5 | THRUST WASHER | PTFE |
| 6 | CONICAL SEAL | PTFE |
| 7 | O-RING | HNBR |
| 8 | GLAND NUT | BRASS |
| 9 | STEM | DZR BRASS |
| 10 | NUT | ZINC PLATED STEEL |
| 11 | HANDLE | ZINC PLATED STEEL |
| 12 | O-RING | HNBR |

DIMENSIONS - mm

| Prod. Code | Size | A | B | L | Kv | Wgt kg |
|------------|------|----|-----|-----|-----|--------|
| 6200015 | 15 | 44 | 85 | 78 | 15 | 0.218 |
| 6200020 | 20 | 52 | 105 | 99 | 28 | 0.375 |
| 6200025 | 25 | 56 | 105 | 107 | 39 | 0.513 |
| 6200032 | 32 | 68 | 130 | 119 | 84 | 0.860 |
| 6200040 | 40 | 74 | 130 | 151 | 156 | 1.37 |
| 6200050 | 50 | 88 | 165 | 174 | 243 | 2.12 |

PRESSURE/TEMPERATURE DIAGRAM

