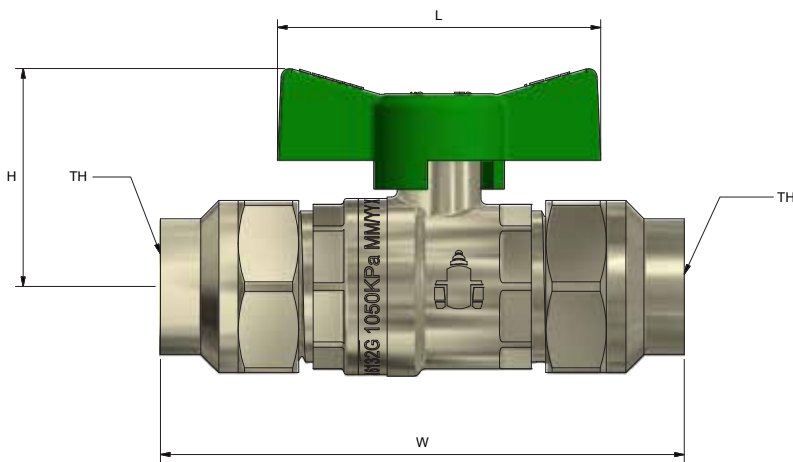


# WATERMARKED BALL VALVE

Butterfly Handle FL X FL

Product Specifications



## Specifications

Working temperature -20°C to 120°C

Maximum pressure rating Water 2500kPa Gas 2100kPa

## Sizing Chart [MM]

	L	H	W	TH
G15W	56	34	79	15C
G20W	56	38	91	20C

## Features

Watermark and AGA approved

100% pressure tested

Available in sizes 15mm [1/2"] to 20mm [3/4"]

Blow proof spindle

Aluminium handle

Tested and certified to WMTS012

## Material Chart

Part	Material
Body	DR Brass
Seal	PTFE
Ball	DR Brass
Bonnet	DR Brass
Spindle	DR Brass
O Ring	FKM
Handle	Aluminium
Nut	DR Brass
Lock Nut	Stainless Steel

For more information on Logi Valve, contact:

Austworld 15 Activity Crescent, Molendinar, Queensland 4214 Australia

P. 1300 780 430

F. 1300 780 441

E. [info@austworld.com.au](mailto:info@austworld.com.au)

Austworld Pty Ltd. All rights reserved 2018. Austworld and Logi Valve are registered trade mark belonging to Austworld Pty Ltd.

