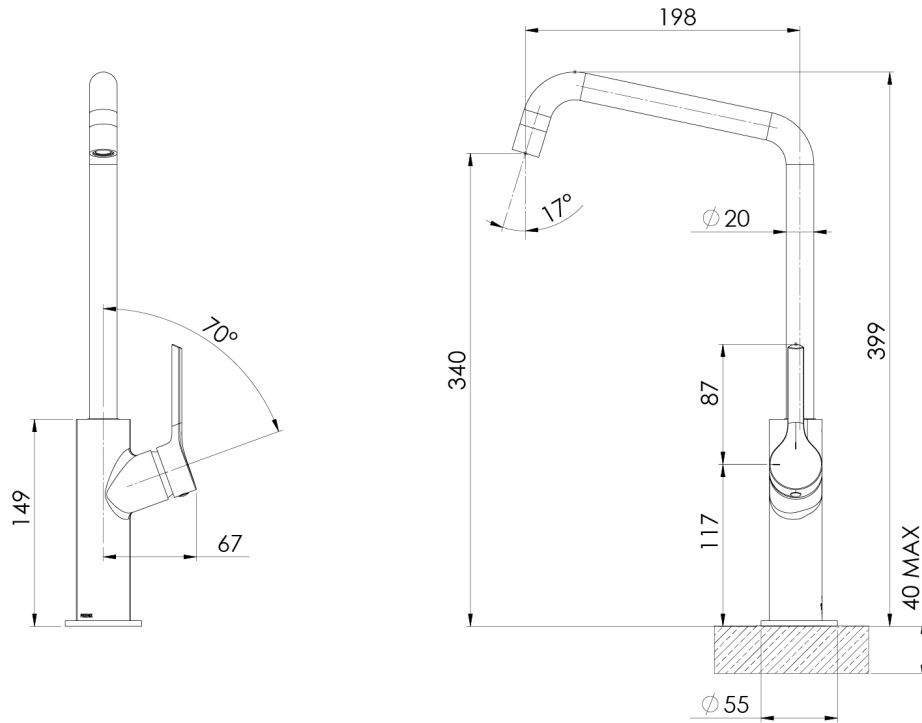


# DESIGNER SINK MIXERS

## ESTER SINK MIXER 200MM SQUARELINE

## SPECIFICATIONS



### AVAILABLE IN



125-7330-00  
Chrome



125-7330-40  
Brushed Nickel



125-7330-10  
Matte Black

### INFORMATION

Temperature Rating  
1 - 75°C

Pressure Rating  
150 - 500kPa

### MAINTENANCE AND CARE:

- All surfaces should be cleaned with mild liquid detergent or soap and water.
- Do not use cream cleaners or citrus based cleaning products, as they are abrasive.
- Use of unsuitable cleaning agents may damage the surface.
- Any damage caused in this way will not be covered by warranty.

Please visit <https://www.phoenixtapware.com.au/warranty> to view the full warranty