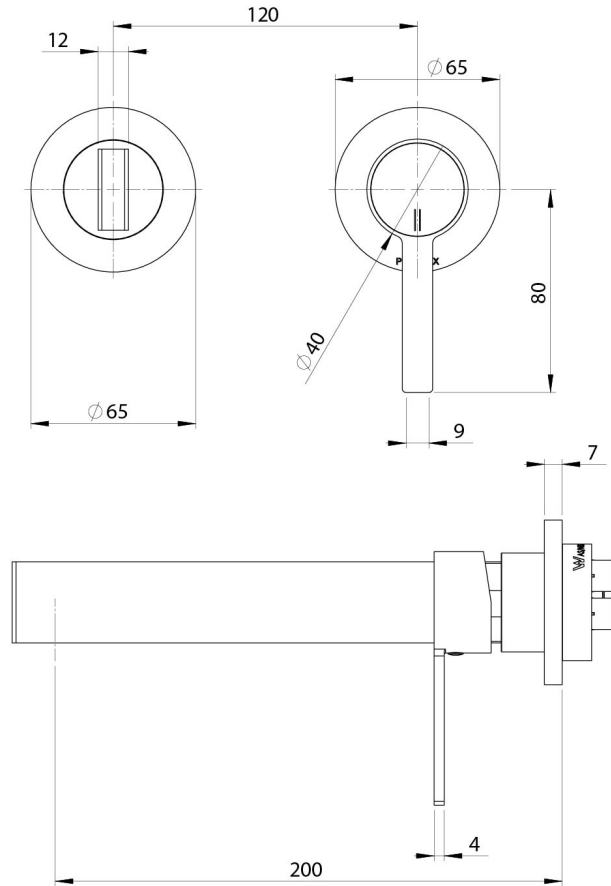


LEXI MKII

LEXI MKII SWITCHMIX WALL BATH MIXER SET 200MM FIT-OFF KIT

SPECIFICATIONS



AVAILABLE IN



123-2822-00
Chrome



123-2822-40
Brushed Nickel



123-2822-10
Matte Black

INFORMATION

Temperature Rating
1 - 75°C

Pressure Rating
150 - 500kPa

MAINTENANCE AND CARE:

- All surfaces should be cleaned with mild liquid detergent or soap and water.
- Do not use cream cleaners or citrus based cleaning products, as they are abrasive.
- Use of unsuitable cleaning agents may damage the surface.
- Any damage caused in this way will not be covered by warranty.

Please visit <https://www.phoenixtapware.com.au/warranty> to view the full warranty