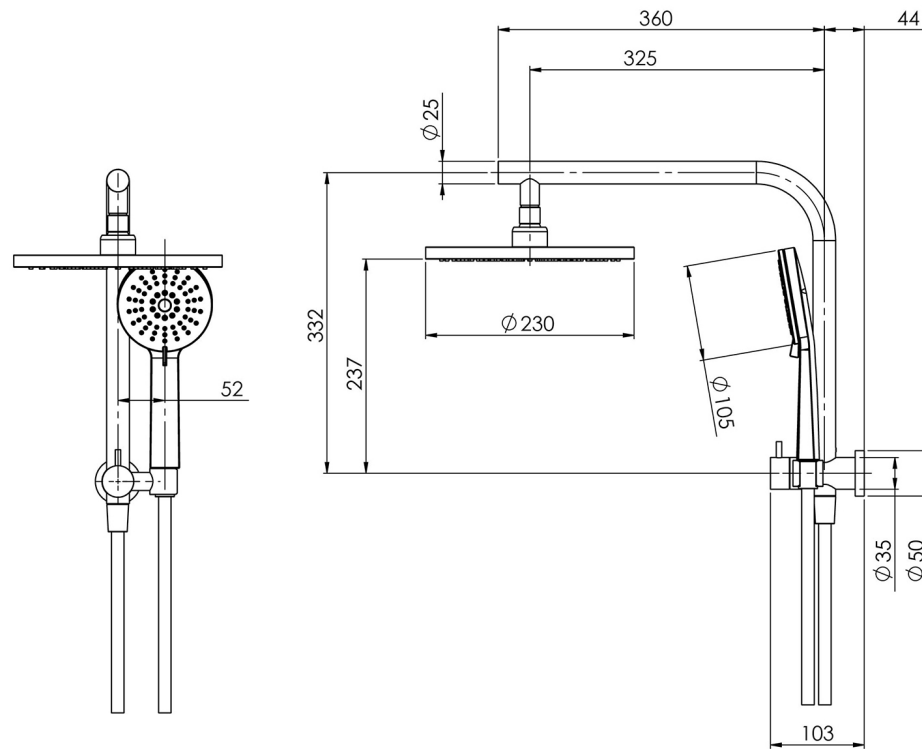


VIVID SLIMLINE

VIVID SLIMLINE COMPACT TWIN SHOWER

SPECIFICATIONS



AVAILABLE IN



VS6510-00
Chrome



VS6510-40
Brushed Nickel



VS6510-30
Gun Metal



VS6510-31
Brushed Carbon



VS6510-10
Matte Black



VS6510-12
Brushed Gold

INFORMATION

Temperature Rating
1 - 75°C

Pressure Rating
150 - 500kPa



MAINTENANCE AND CARE:

- All surfaces should be cleaned with mild liquid detergent or soap and water.
- Do not use cream cleaners or citrus based cleaning products, as they are abrasive.
- Use of unsuitable cleaning agents may damage the surface.
- Any damage caused in this way will not be covered by warranty.

Please visit <https://www.phoenixtapware.com.au/warranty> to view the full warranty

AS2845.1 Compliant Dual Check Valves



While we aim to ensure the specifications shown are correct at time of printing, Phoenix Tapware reserves the right to make modifications without prior notice. Always use the physical product measurements for mark-ups and roughing-in as the line drawing shown may differ from the actual product over time. All measurements are shown in millimetres. Colours may vary from image shown.

Ph: +61 3 9780 4200
31/05/2024
phoenixtapware.com.au