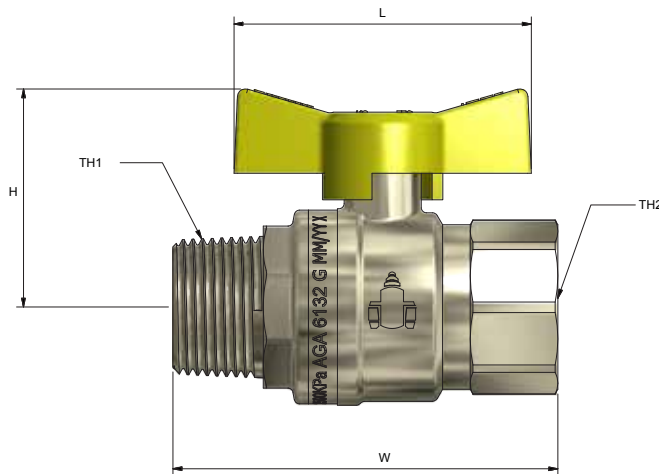


# GAS APPROVED BALL VALVE

Butterfly Handle MI X FI

## Product Specifications



## Specifications

Working temperature GAS -20°C to 120°C

Max. pressure rating GAS 2100 kPa

## Sizing Chart [MM]

	L	H	W	TH1	TH2
WB15M	56	38	64	R1/2"	Rp1/2"
WB20M	56	41	73	R3/4"	Rp3/4"
WB25M	56	45	87	R1"	Rp1"

## Features

AGA approved

Full bore

100% pressure tested

Available in sizes 15mm [1/2"] to 25mm [1"]

Blow proof spindle

Aluminium handle

Tested and certified to AS 4617

## Material Chart

Part	Material
Body	Brass
Seal	PTFE
Ball	Brass
Bonnet	Brass
Spindle	Brass
O Ring	HNBR
Handle	Aluminium
Lock Nut	Stainless Steel

For more information on Logi Valve, contact:  
 Austworld 15 Activity Crescent, Molendinar, Queensland 4214 Australia  
 P. 1300 780 430 F. 1300 780 441 E. info@austworld.com.au

Austworld Pty Ltd. All rights reserved 2018. Austworld and Logi Valve are registered trade mark belonging to Austworld Pty Ltd.

